

Architectural Series Gate and Fence System

Juralco Aluminium Building Products Ltd designs and distributes specialist aluminium joinery systems through a national network of franchised fabricators and agents.

For more than 25 years we have been at the forefront of specialist aluminium door and window products suitable for New Zealand joinery and building methods. Our comprehensive product range includes security and insect screens, balustrades and gates, shutters and awnings, shower screens, wardrobe doors and organisers and internal doors.

The Architectural Series Gate System combines a unique aluminium frame with non-corrosive stainless steel or bronze components to produce an elegant and secure residential or light commercial gate. The system is extremely versatile and can be custom made in a range of infill designs and powder-coat colours to meet most modern architectural requirements. Sliding or hinged configurations are available to suit individual requirements together with automation options with the range of Nice electronic gate openers.

Complementing this range is a lighter Fence System. Using the same infills allows various Fence configurations to match the Gates.



A coordinated Gate and Fence installation: Vehicle and Pedestrian access Gates, and Fence



Pedestrian Gate, horizontal T&G Slat. Fence on Nib Wall same infill

Architectural Series Gate and Fence System



Vehicle access Gate, twin Hinged with Louvre infill. Fence, between nib walls with same infill



Vehicle access Gate, twin Hinged, angled base with Louvre infill. Pedestrian Gate same infill



Pedestrian Gate vertical T&G infill



Vehicle access Gate, Sliding with Louvre infill. Pedestrian Gate same infill



Vehicle access Gate, Sliding with Baluster infill.

Architectural Series Gate and Fence System

masterspec partner
Section 8432JS

Index

Pages	Section	Description
5 - 13	1 - General	General Descriptions for Vehicle Access Gates, Pedestrian Access Gates and Fences
14 -17	2 - Gates, Vehicle Access	General Extrusions and Components
18 - 26		Gates (Hinged) - Components, Motors, Machining, Hinge Install
27 - 29		Gates (Sliding) - Components, Motors, Machining
30 - 33		Gates (General) - Machining, Infill calculations
34		Vehicle Gate Order Form
35 - 38	3 - Gates, Pedestrian Access	Access Gates - Extrusions, Components, Machining, Hinge Install
39		Pedestrian Gate Order Form
40 - 42	4 - Fences	Fences - Extrusions, Components
43 - 50		Fences - Infill Layouts
51		Fences - Post Installations
52 - 54	5 - Wind Breaks	Wind Breaks
55	6 - Maintenance	Instructions for the Care and Maintenance of Powder coated surfaces

Important information - Powder Coating systems.

Powdercoat Systems The new standard Dulux powder coating system used by Juralco is Duralloy Plus®. Also Duralloy® and Duratec®. Juralco Powder coated prices are for Duralloy Plus® and Duralloy® (same pricing). Duratec® prices on application.

The following specs apply to Building Exteriors.

- Dulux Duralloy Plus® powder coating systems are suitable for properties greater than 10m from high tide level. Residential and Light commercial buildings, 3 levels max. Warranty 15 yrs
- Dulux Duratec® powder coating systems are suitable for properties greater than 10m from high tide level. All Residential and Commercial buildings. Warranty 25 yrs.

Attachment to structures A PVC Tape or similar material spacer must be used to separate powder coated aluminium items from all concrete and steel structures. Failure to do so can lead to the chemicals in the structure affecting the powder coating, leading to corrosion.

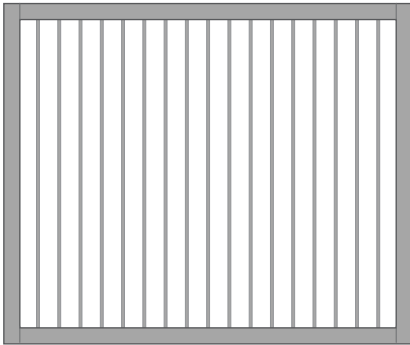
Swimming Pools The chlorinated water in swimming pools can cause the deterioration of powder coated surfaces, leading to corrosion of the underlying surface. It is recommended that Powder coated surfaces be 1200mm min from a pool.

Care The Dulux powder coating warranty period is conditional upon the surface being maintained in accordance with the Dulux 'Care and Maintenance Instructions'. Download from Dulux or refer to the back page of this manual.

- A typical selection of possible Gate Infill Designs - Frame 94mm extrusion - **Solid Infills NOT suitable for HIGH Wind Zones**

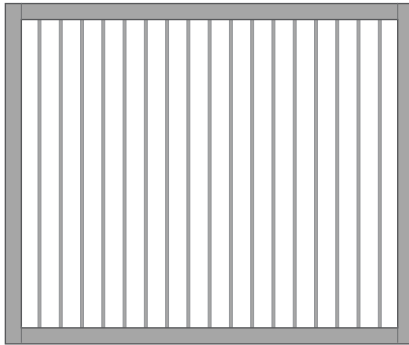
Gate Infill design. For Hinged or Sliding Gates with Square or Angled Bases. **Vertical infills**

Nominal Baluster
CL Spacing = 115mm



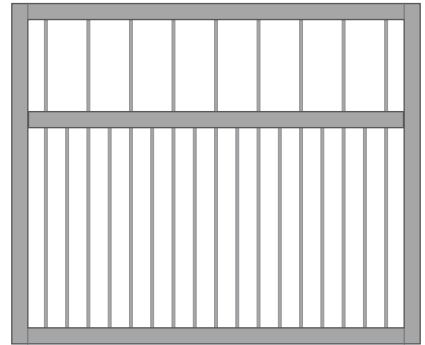
Infill Design No 1
17mm sq Baluster

Nominal Slat
CL Spacing = 115mm



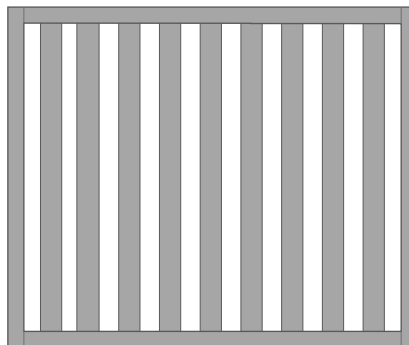
Infill Design No 2
49mm Slat (Edge on)

Nominal Baluster
Top CL Spacing = 200mm
Bottom CL Spacing = 100mm

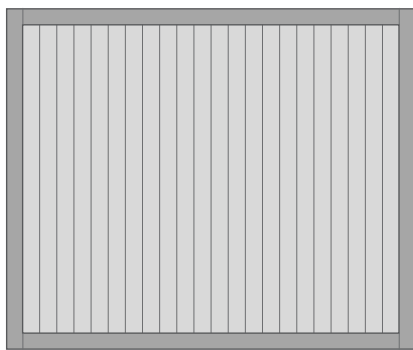


Infill Design No 3
Top, Bottom - 17mm sq Baluster

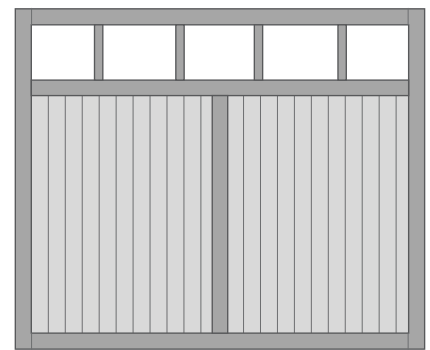
Nominal Slat Open Gap = 100mm



Infill Design No 5
123mm Vertical Slat Infill

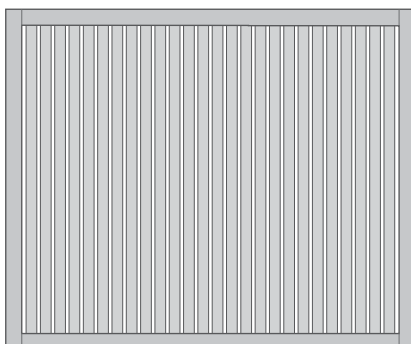


Infill Design No 4
T & G Slat



Infill Design No 6
T & G Slat + 94mm Divider
+ 60mm Slats above

Nominal Slat Open Gap = 20mm



Infill Design No 7
60mm Vertical Slat Infill

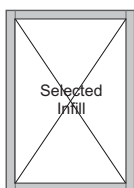
Gate Infill design. For Hinged or Sliding Gates with **Square Base only**. **Horizontal infills**



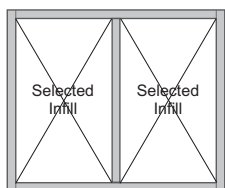
Infill Designs No 8 to 11- Horizontal Louvre Infill
 No 8 - 58mm Louvre, No 9 - 80mm Louvre
 No 10 - 120mm Louvre, No 11 - 150mm Louvre

Mullions for Hinged and Sliding Gates

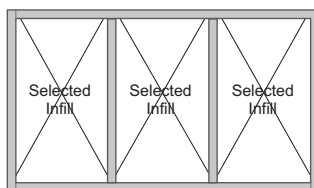
- Mullions are essential for Gate Frame stability. Frame 94mm extrusion
- Hinged Gates with suitable Posts, 3.5mt max width.
- Sliding Gates 6.0mt, Manual, 5.75mt Motorised max widths



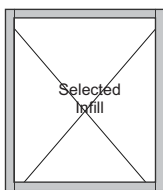
Hinged Gate
 up to 1.2mt wide
 No Vertical Mullion



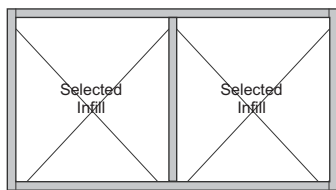
Hinged Gate
 from 1.3mt to 2.3mt wide
 One Vertical Mullion



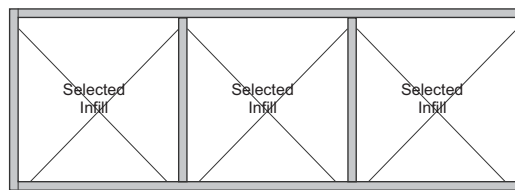
Hinged Gate
 from 2.4mt to 3.5mt wide max
 Two Vertical Mullions



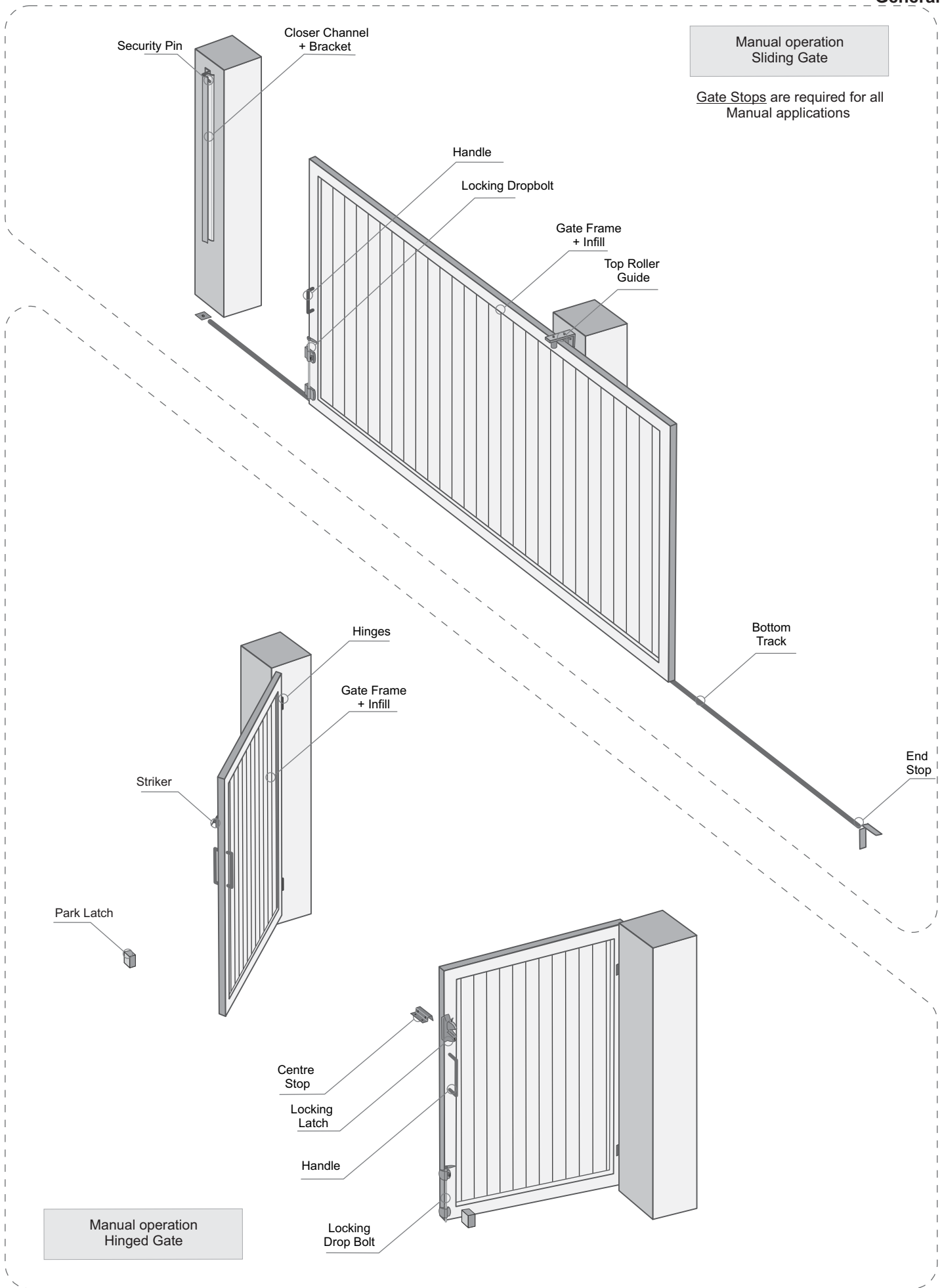
Sliding Gate
 up to 1.8mt wide
 No Vertical Mullion



Sliding Gate
 from 1.9mt to 3.8mt wide
 One Vertical Mullion



Sliding Gate
 from 3.9mt to 6.0mt wide max
 Two Vertical Mullions



Motorised operation
Sliding Gate

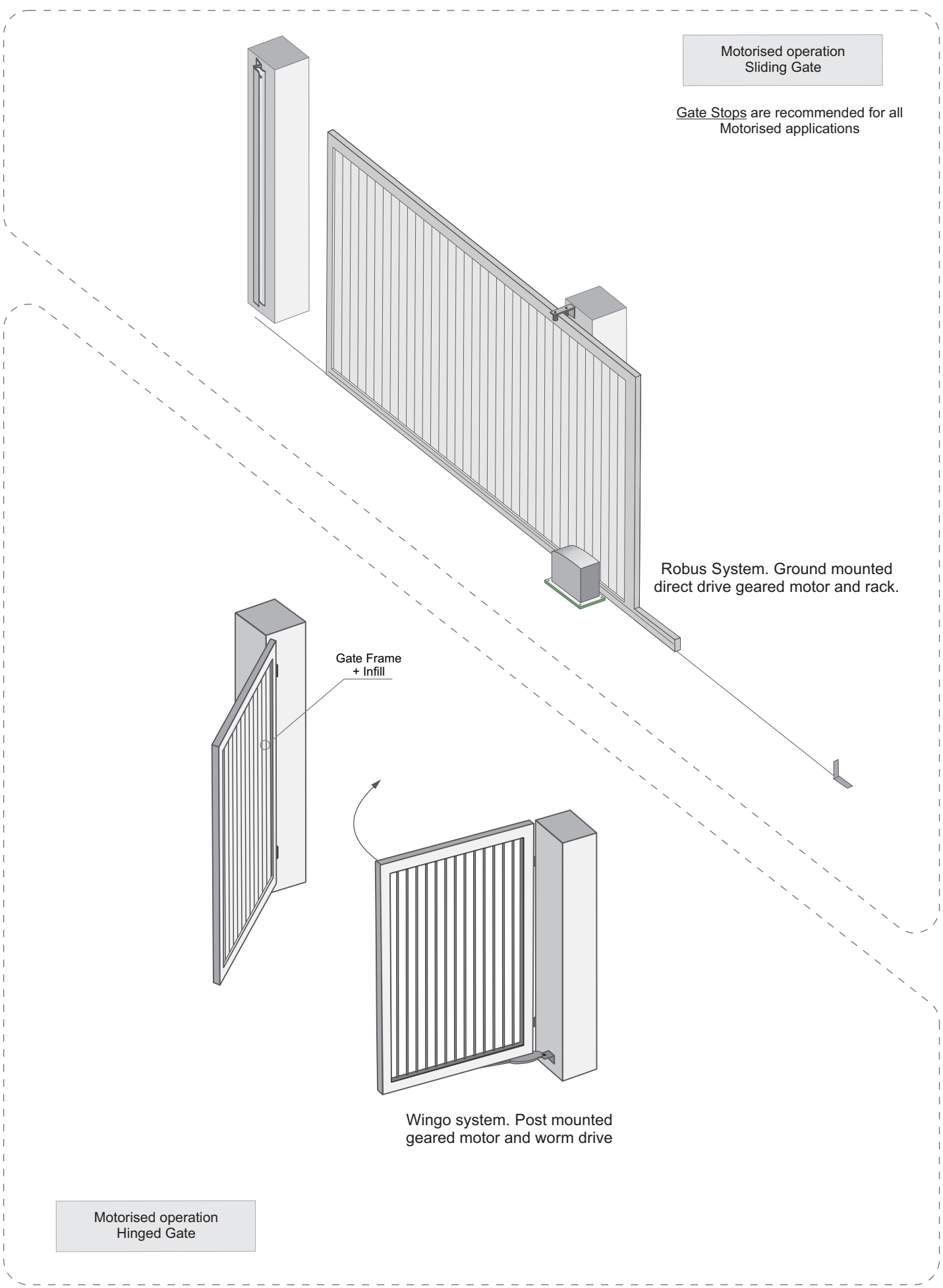
Gate Stops are recommended for all
Motorised applications

Robus System. Ground mounted
direct drive geared motor and rack.

Gate Frame
+ Infill

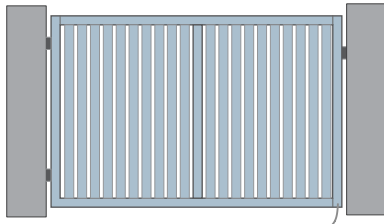
Wingo system. Post mounted
geared motor and worm drive

Motorised operation
Hinged Gate

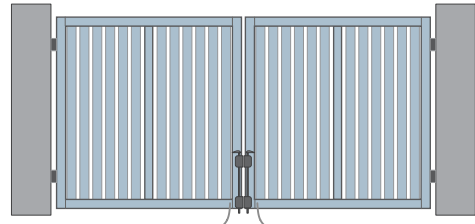


Manual Operation
Flat Ground

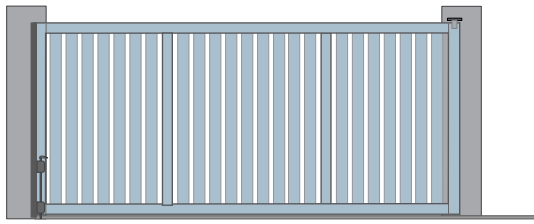
- Choice of Lockware
- Frame 94mm extrusion
- **Solid Infills NOT suitable for HIGH Wind Zones**



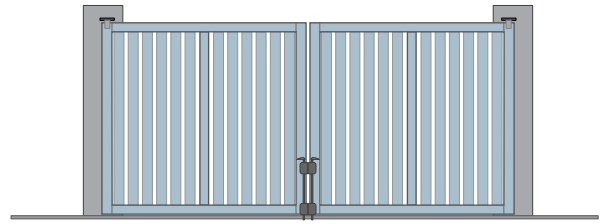
Single Leaf Hinged Gates



Twin Leaf Hinged Gates



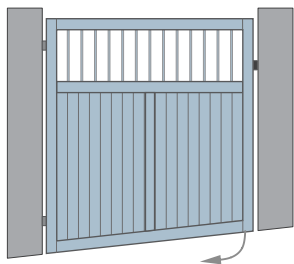
Single Leaf Sliding Gates



Twin Leaf Sliding Gates

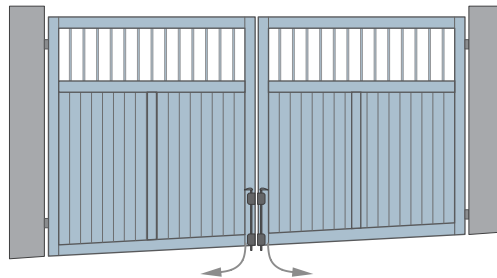
Manual Operation
Angled Ground

- Available in most Infill designs
- Choice of Lockware
- Frame 94mm extrusion



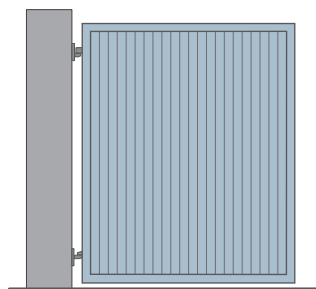
Single Leaf Hinged Gate

Note - Ground may slope up to inside of gate but must be checked with gate angle. Otherwise ground to be flat or slope down on the inside of the gate

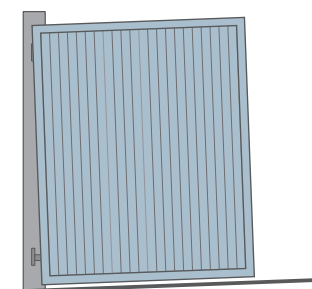


Twin Leaf Hinged Gates

Note - Ground must slope down to inside of the gate. Check operation of RH Gate



Rising Hinge Hinged Gate Gate Closed

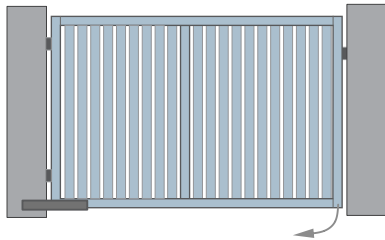


Rising Hinge Hinged Gate Gate Open

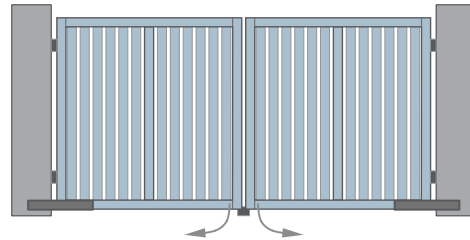
Motorised Operation
Flat Ground

- Choices of Motor Types
- Frame 94mm extrusion
- Solid Infills NOT suitable for HIGH Wind Zones

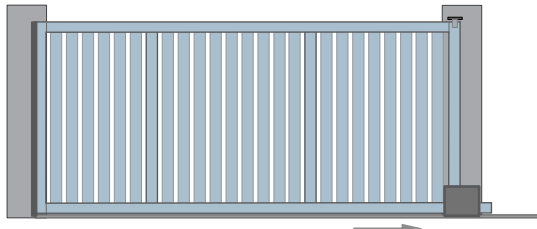
Gate Stops are recommended for all Motorised applications



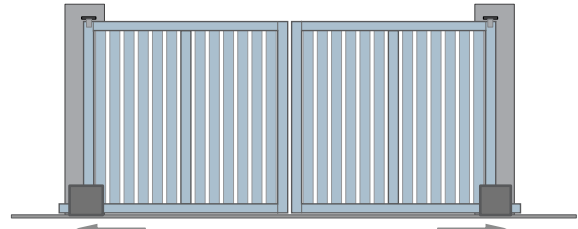
Single Leaf Hinged Gates



Twin Leaf Hinged Gates



Single Leaf Sliding Gates

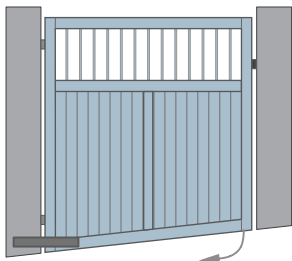


Twin Leaf Sliding Gates

Motorised Operation
Angled Ground

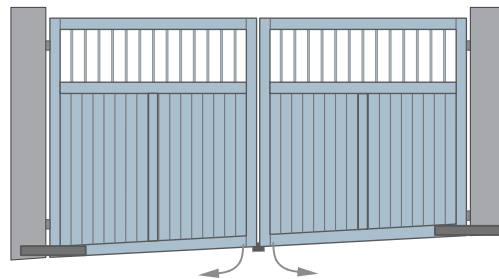
- Available in most Infill designs
- Choice of Lockware. Frame 94mm extrusion
- Note Rising Hinges NOT suitable for Motorised operation

Gate Stops are recommended for all Motorised applications



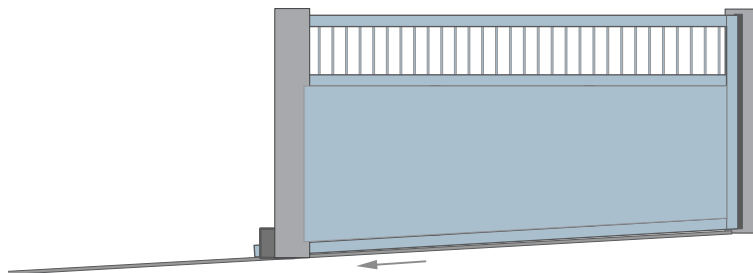
Single Leaf Hinged Gate

Note - Ground may slope up to inside of gate but must be checked with gate angle. Otherwise ground to be flat or slope down on the inside of the gate



Twin Leaf Hinged Gates

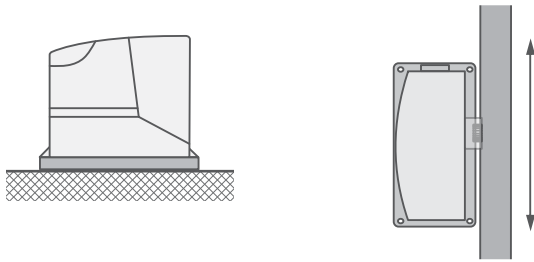
Note - Ground must slope down to inside of the gate
Check location of RH Gate motor mounting



Single Leaf Sliding Gate

Sliding Gate, Robus System

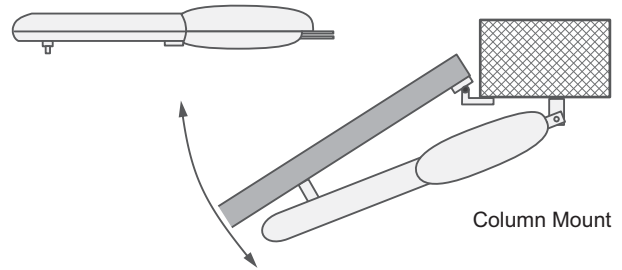
- The Robus system consists of a geared motor incorporating a rack and pinion drive, used to automate large sliding gates for residential use.
- Controls include a range of wireless devices and/or photocells.
- Safety is maximised with obstacle detection and programmed acceleration and closing speeds.
- Twin sliding gates opening and closing are synchronised.
- A special key can be used to enable manual operation in the event of power failure or an optional battery pack can be included as power backup inside the motor enclosure.
- This system can handle gates up to 5.5mt wide.



Ground Mount

Hinged Gate, Wingo System

- The Wingo system consists of a geared motor incorporating a worm drive, used to actuate larger swing gates for residential use.
- Controls include a range of wireless devices and/or photocells.
- Safety is maximised with obstacle detection and programmed acceleration and closing speeds.
- Twin swing gates opening and closing are synchronised.
- A special key can be used to enable manual operation in the event of power failure or an optional battery pack can be included as power backup inside the motor enclosure.
- There are two systems available, one can handle gates up to 2mt wide ,while the other can handle gates up to 3.5mt wide.



Column Mount

- Not recommended for full Slat or Louvre infills, especially where wind is a factor - contact Juralco for further information

Solar Power System

Solar Power - Solemyo System

- Solemyo is a solar power system to automate sliding or hinged gates on sites that are far away from a mains power source
- Comes with a Photovoltaic panel for 24V supply and a 24V power storage battery for continuous supply throughout the day.
- Able to be installed virtually anywhere, no need for power connections or excavations. Great for remote locations or sites where mains power access is difficult.

Remote Controls and Accessories

All the above systems can be integrated with a variety of remote and security controls. Please refer to the manufacturers catalogue. Pictured below only some possibilities...



SOLEMYO Solar Kit
Part No JNICE/SYKCE



Remote Controller
Part No JNICE/FLO2RE



Audio Intercom
Part No JNICE/AUDIOKIT
Note: Range to 100m using CAT 6 wiring



Video Intercom
Part No JNICE/VIDEOKIT
Note: Range to 100m using CAT 6 wiring



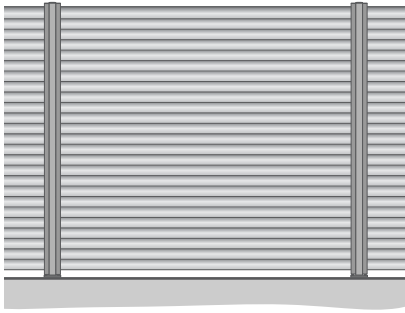
Surface Mount
Photocells
Part No JNICE/EPMB



Digital Switch
Part No JNICE/EDSW

Free standing
Infills

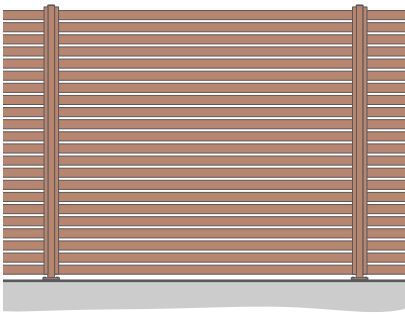
Posts can be Top mounted, or set in concrete.
Max post height 1.8mt, Max Post CL 2.0mt.



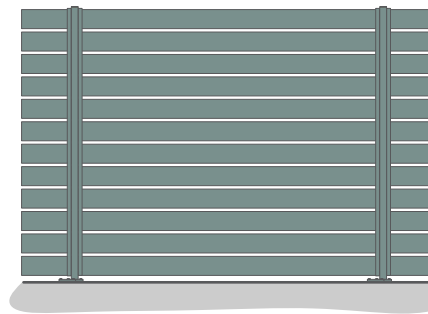
Infill, Fence Louvre



Infill, T&G Slats



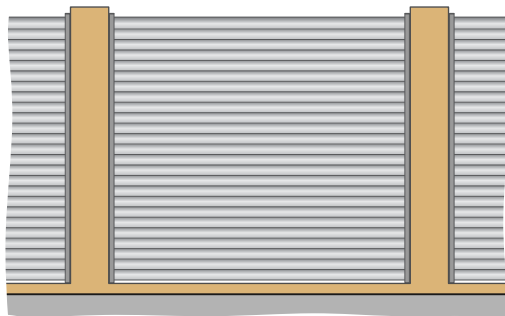
Infill, 60mm Slat



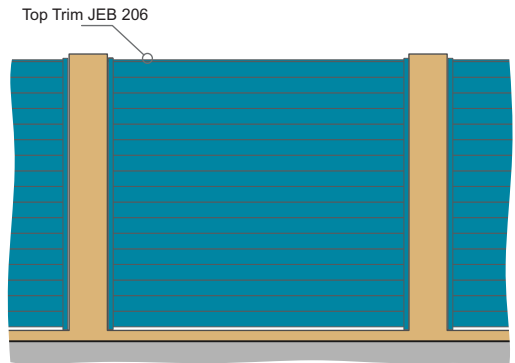
Infill, Fence Slat 123mm

Between Walls
Infills - Full Height

Posts attached to Wall
Max Post CL 2.0mt.

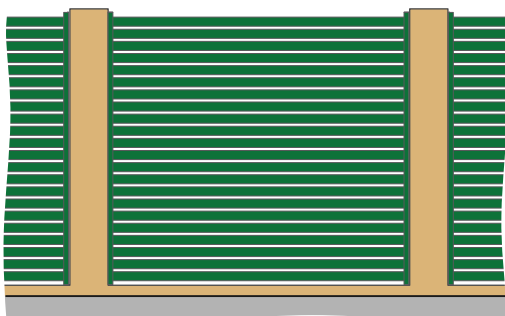


Infill, Fence Louvre

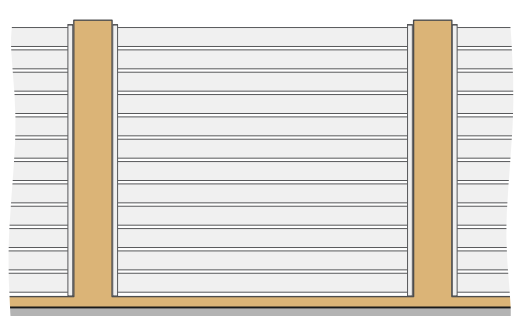


Top Trim JEB 206

Infill, T&G Slats



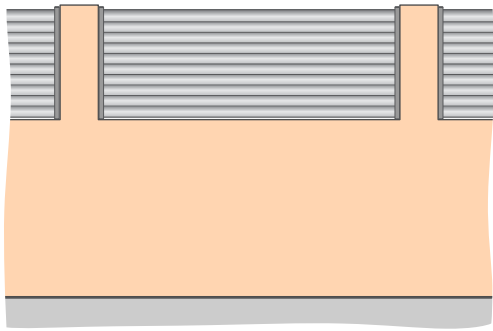
Infill, 60mm Slat



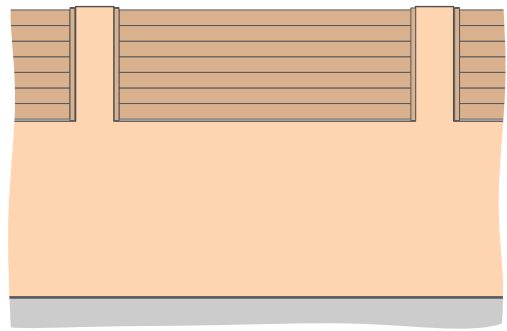
Infill, Fence Slat 123mm

Fence - Between Nib Walls
Infills

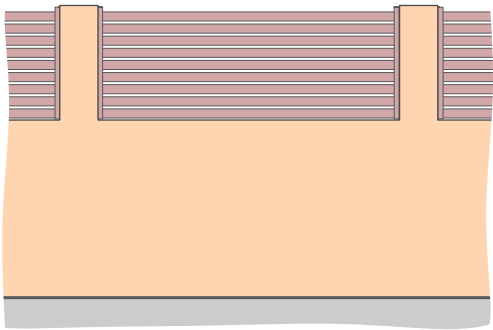
- Posts attached to Nib Wall Max Post CL 2.0mt.
- Use centre post for longer spans



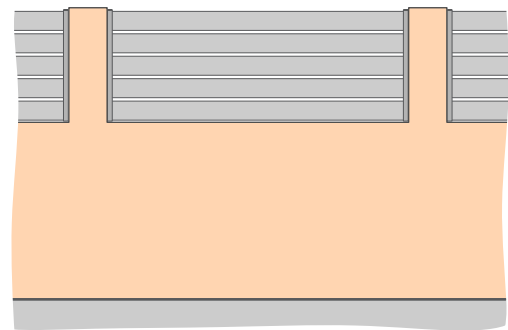
Infill, Fence Louvre



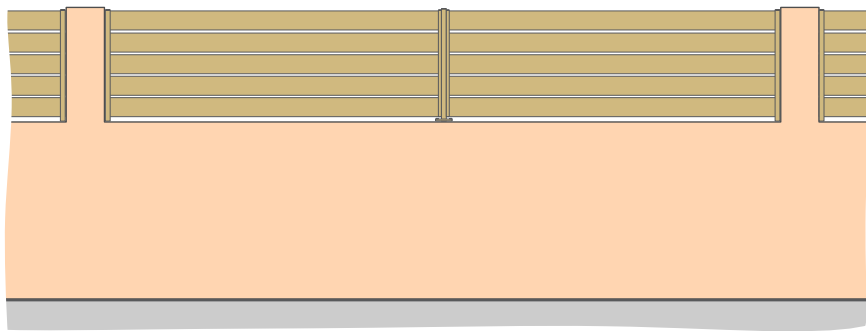
Infill, T&G Slats



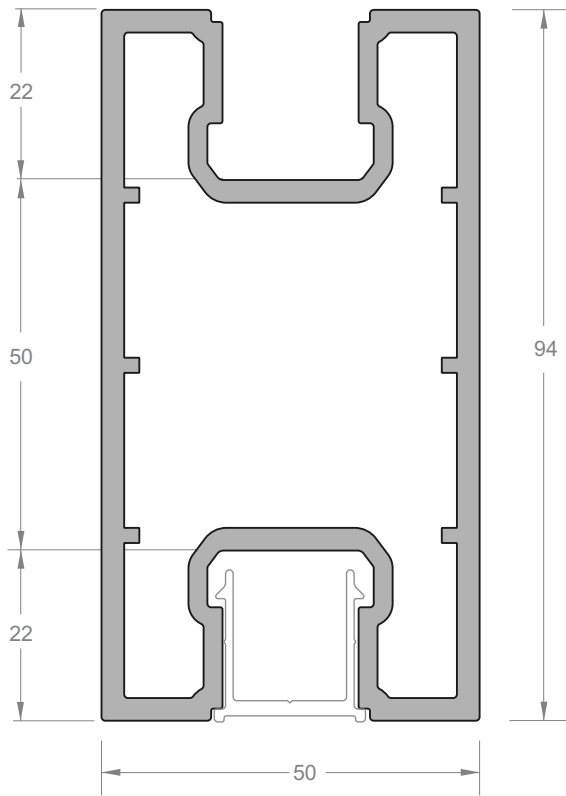
Infill, 60mm Slat



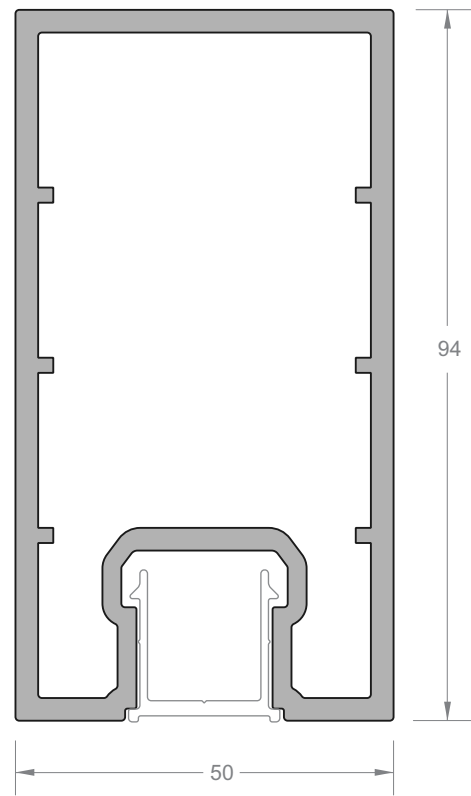
Infill, Fence Slat 123mm



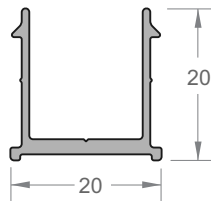
Longer lengths using intermediate supports



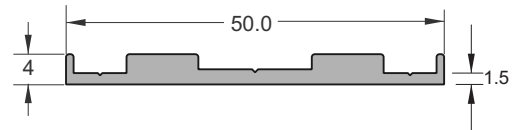
GATE MULLION
Part No 2222



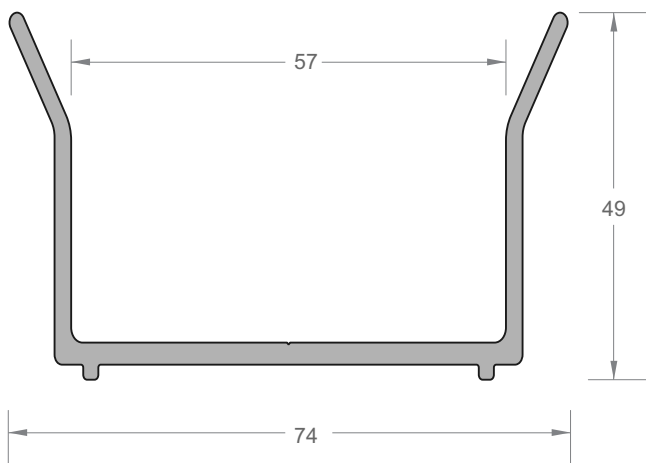
GATE OUTER FRAME
Part No 2215



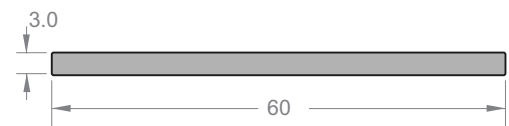
GATE FRAME INSERT
Part No 2221



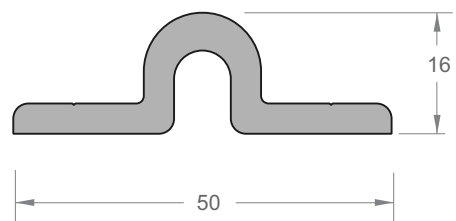
CARRIER BAR
Part No JLS/8810/5.5



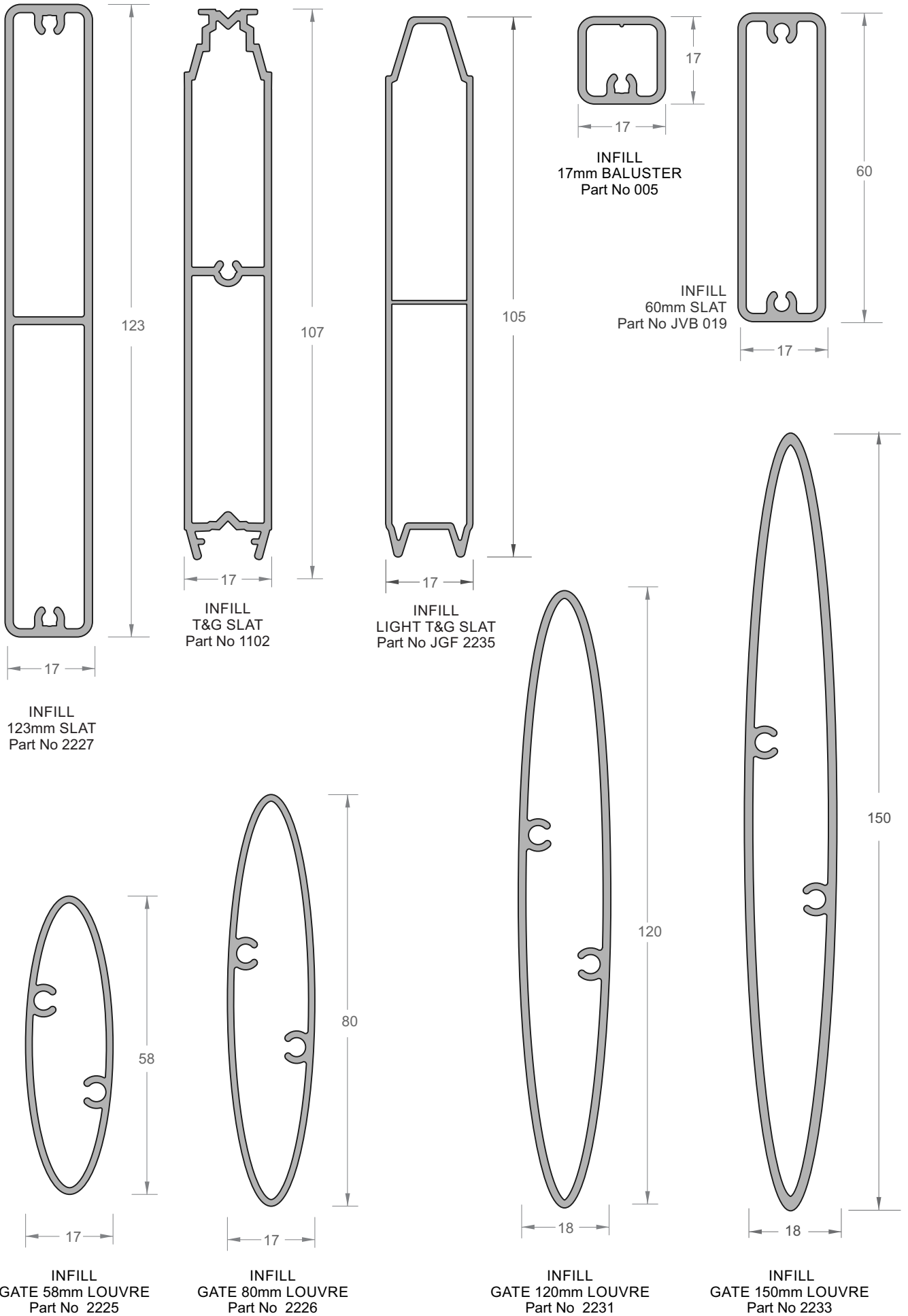
SLIDING GATE CLOSER CHANNEL
Part No 2228

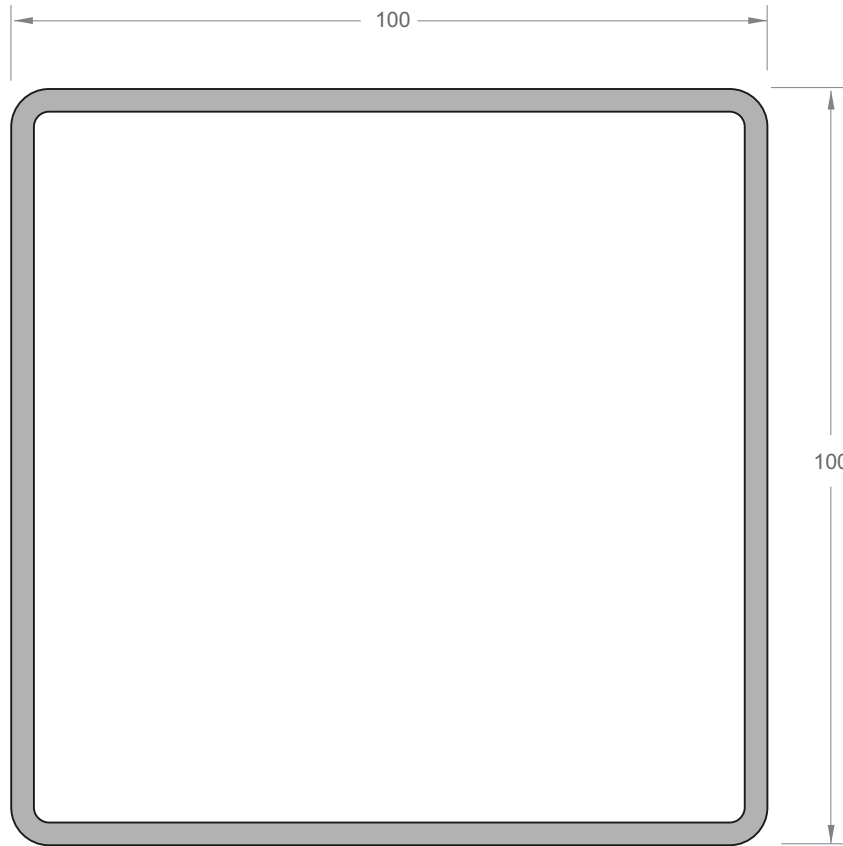


SLIDING GATE ROLLER GUIDE
Part No JA 328



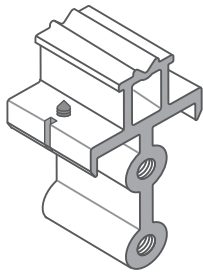
SLIDING GATE BOTTOM TRACK
Part No 2229





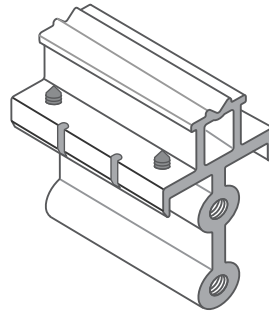
GATE POST 100mm sq x 3mm
Part No JA 198/5.8

90 Deg Butt Connector
Part No G06



Gate Butt Connector
Only as 2222 Gate Mullion
connector to 2215
94mm Extrusion

90 Deg Heavy Duty
Butt Connector
Part No G07

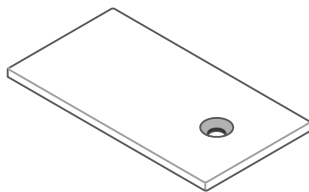


Gate Butt Connector
Only for 2215
94mm Extrusion

Kit includes
4 x G37 screws (M8 x 20)
and 4 x G36 screws (M6 x 10)

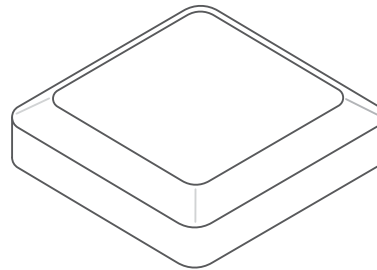
90 Deg Butt Connector
Top Cover Plate
Part No G09

Kit includes
1 x 12g x 20 CS self taper screw



Top Cover plate
Only for 2215
94mm Extrusion

Post Cap
Part No CAP 100



Washer
Part No G32
(for G31, G34 Cap screws)



M8 x 14

Rivnut
Part No G33
(for G16/G17 Hinge)



M8 Rivnut

Socket Screw
Part No G31
(for G16 hinge brkt)



M8 x 20

Grub Screw
Part No G36
(for G06, G07 Butt connector)



M6 x 10

Washer
Part No G35
(for G03 Roller)



M14 x 28

Socket Screw
Part No G34
(for G17 hinge)



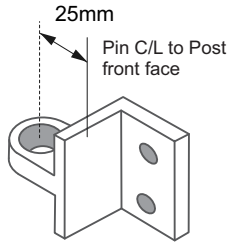
M8 x 16

CS Socket Screw
Part No G37
(for G09 Cover plate)

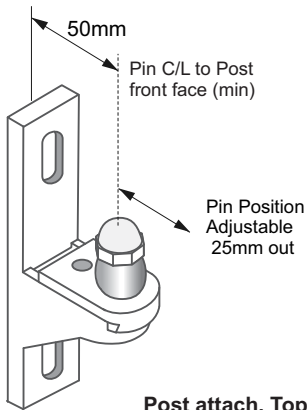


M6 x 20

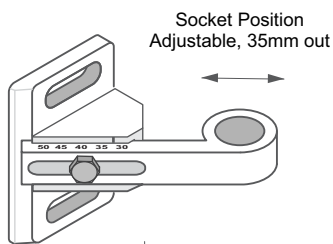
12mm OD Rising Gate Hinge Set for a Single Leaf. For panels not exceeding 70kg SCC or BRonze JGF/G18 LH or RH



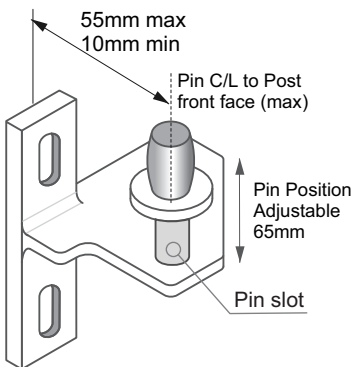
Gate attach, Top



Post attach, Top

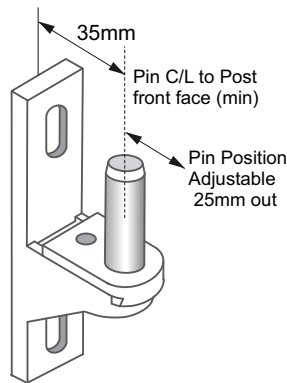


Gate attach, Bottom

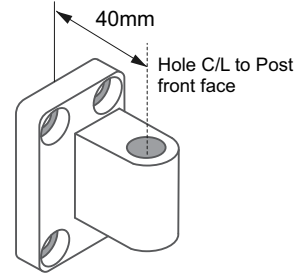


Post attach, Bottom

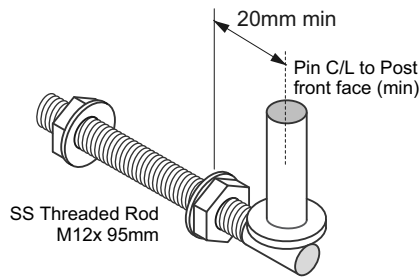
Hinge Pin 14mm dia. For panels not exceeding 80kg .SCC or Bronze JGF/G10



Hinge Socket 14mm dia. For panels not exceeding 80kg .SCC or Bronze JGF/G16

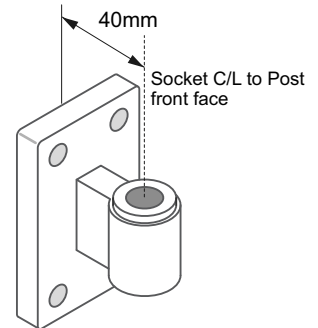


Hinge Pin 13mm dia. For panels not exceeding 40kg. 304 SS JGF/G14/SS

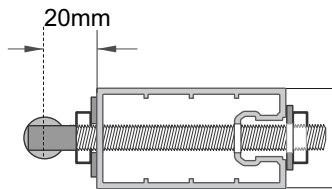


Male 13mm Pin for attaching to Gate.

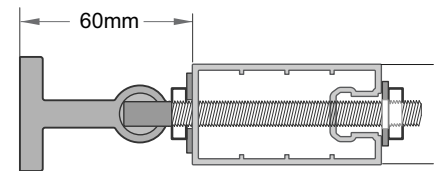
Hinge socket 13mm dia. For panels not exceeding 40kg. Aluminium/PC JGF/G13



Female 13mm socket for attaching to Post. Self lubricated Nylon Bearing, 4 x 8.5mm dia holes

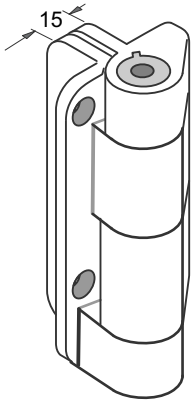


Male pin attached to Gate End
- adjustable hinge pin CL from Gate
- use Heavy Washers/Hex nuts on both sides (supplied)
- hinge Gap allowance variable, check



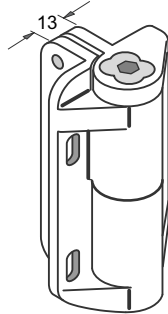
Standard Hinge Gap
G13 + G14 SS Hinge

Super Heavy Duty
Adjustable Tension Hinge,
Legs. Nylon, Black. Pairs
Part No JEF/ADEHD



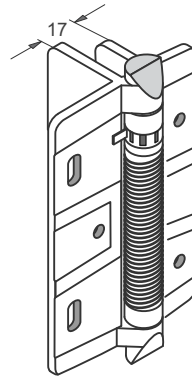
Self Closing
Max Weight 60kg

Heavy Duty
Adjustable Tension Hinge,
Legs. Nylon, Black. Pairs
Part No JEF/AHHD



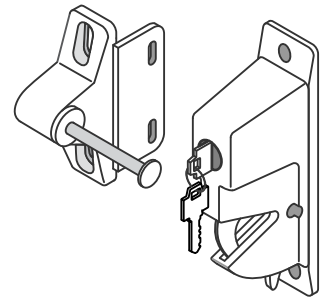
Self Closing
Max Weight 45kg

Fast Fix, Adjustable Tension
Nylon, Black. Pairs
Part No JEF/AHFF



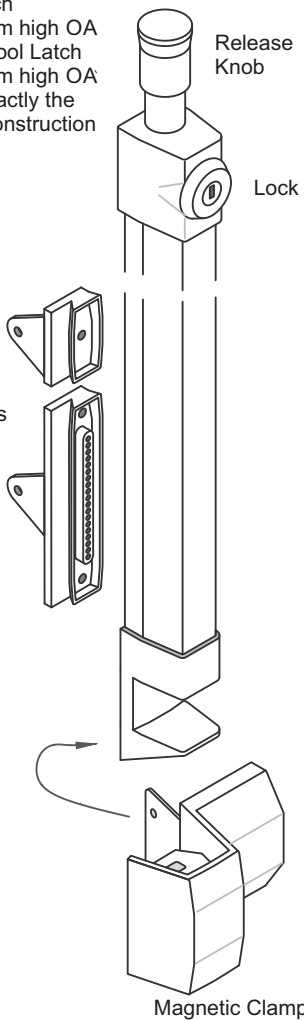
Self Closing
Max Weight 20kg

Universal Drop Latch
and Striker. Nylon, Black
Part No JEF/DL



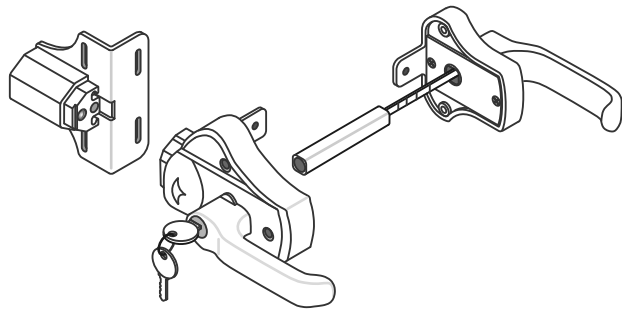
Magnetic Gate Latches
Nylon, Black
Part No J/EF/APETL Pets
Part No J/EF/APL Swim Pools

Pet Latch
- 375mm high OA
Swim Pool Latch
- 540mm high OA
Both exactly the
same construction



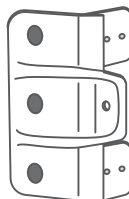
Manta Gate Latch
Nylon, Black. (External Access)
Part No JEF/MILL

- Double Sided Gravity Latch
- Not suitable for Pool gates
- JEF/MILL/COVER. Optional Armour cover available

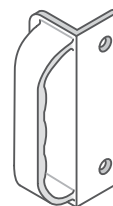


Unscrew and Reverse Lock Backplates for LH/RH installation

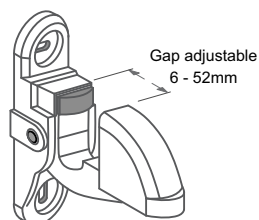
Soft Gate Stop
Nylon, Black.
Part No J/EF/GS



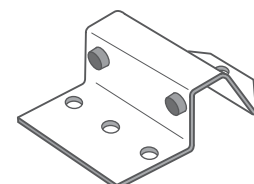
Gate Handle
Nylon, Black.
Part No J/EF/GH



Parking Latch
Nylon, Black.
Part No G21



Double Hinged Gate Center Stop
304 SS
Part No G20



Solutions,
Automatic Swing Gates
for Difficult Sites

1 - Narrow driveways with limited side room for an automatic swing gate Operator.

As a general rule a gate operator requires 180mm for the gate operator to be installed.

Ways to work with limited side room are:

- Recess the gate operator into the side of the house if the gate is mounted off the side of your House. This is a relatively simple solution if you have a brick constructed house or brick footings
- Swing the gates outward. The operators can be installed so they do not interfere with vehicles passing down a narrow driveway
- Install underground operators – (Refer to Juralco for advice on NICE specialist gate operators) Although this is a more expensive option the ability to automate your swing gate maintaining the maximum width of your driveway opening along with the aesthetically pleasing result you have with inground operators is worth the extra cost
- Depending on the width of your driveway use an automatic 'single' swing gate instead of a pair and do not install a closing post as this will use up width.

2 - Shallow Driveways:

An example of a shallow driveway is once you have driven into your driveway you have no room to close the gate

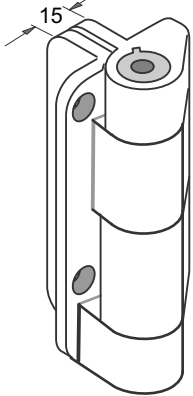
- Install an automatic sliding gate that parks just inside your Fence

3 - Automatic swing gates in high wind areas:

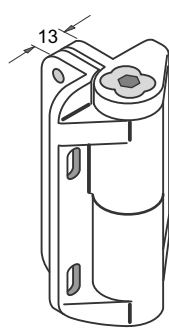
- Wind loading on an automatic swing gate system is quite substantial and this should always be taken into consideration when designing the automatic gate system.
Selecting the right operator in high winds areas is crucial to provide trouble free operation of your automatic gate system.
- Most electric gate operators have current sensors which will trigger on increased resistance preventing the gate from operating correctly.
- When wind loading is pushing the gate closed and is loading up the electric lock tongue with pressure the gate will be unable to unlock and open.
- *Ways to reduce wind loading:* Keep as much of the gate design open as is possible.
Avoid cladding the gate with solid cladding as this will act as a sail

Super Heavy Duty Adjustable Tension Hinge, Legs. Nylon, Black. Pairs Part No JEF/AHSHD

Heavy Duty Adjustable Tension Hinge, Legs. Nylon, Black. Pairs Part No JEF/AHHD



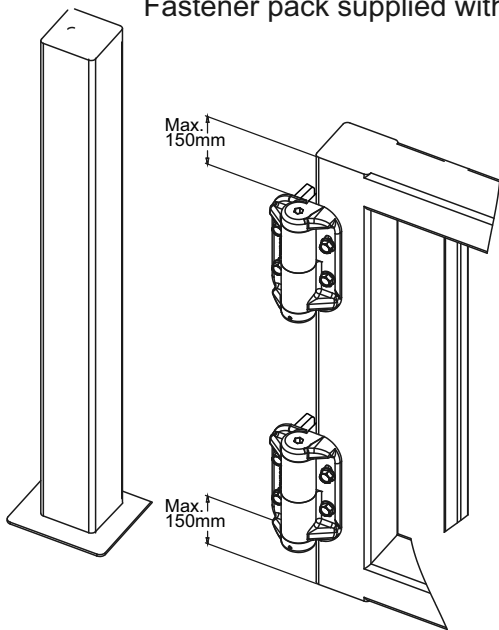
Self Closing
Max Weight 60kg



Self Closing
Max Weight 45kg

START

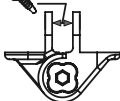
Fastener pack supplied with Hinge



Lay the gate flat.
Position Hinges more than 100mm from top/bottom edges.
Mark Hinge holes.
Mount Hinges to the Gate.
Hold the Gate/Hinges against post and mark holes then mount it.
Use all fasteners provided.

Note:
For JEF/AHHD type only

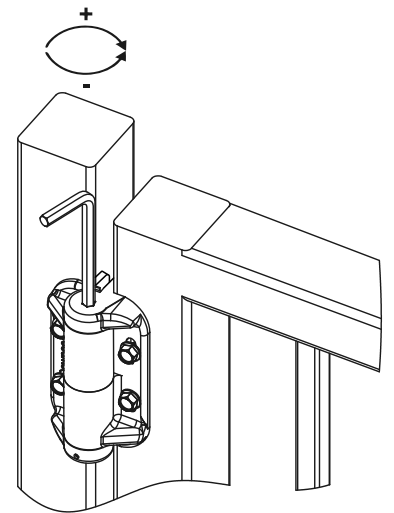
Note: Two types of fasteners are supplied. Use Countersunk screws here.



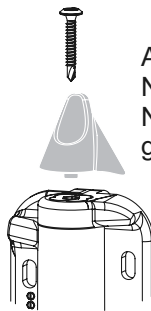
With Gate closed adjust the tension of both hinges. Using the 6mm allen key provided, rotate in 1/4 increments.

Turn clockwise to increase tension.
Turn it in the opposite direction to reduce tension.-

Warning:
Don't rotate tensioner more than two full turns.
Important:
Support the gate weight while adjusting tension



Add the Anti-Step cap to the bottom hinge. Note locator notch on both parts. Nip it up with a screwdriver. Slightly open gate 25mm to check the gate closes.



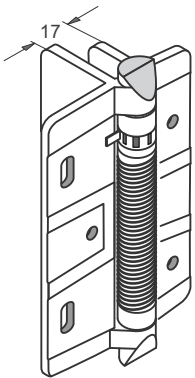
FINISH

Downee

Maintenance

- Annually inspect hinges or more frequently if the gate is used often.
- Only lubricate with powdered graphite lubricant. Do not use petroleum products

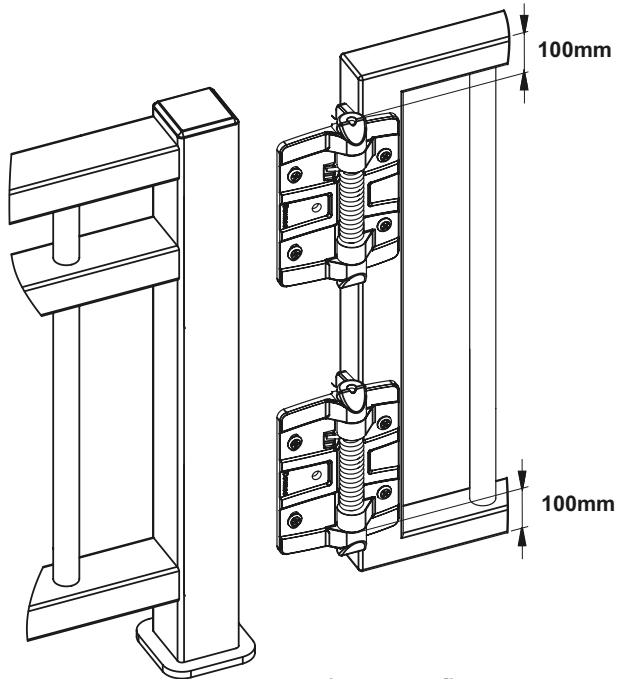
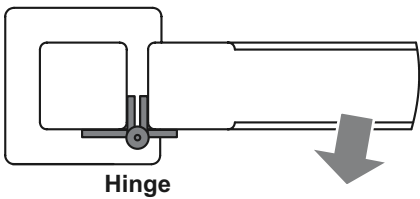
Fast Fix, Adjustable Tension
Nylon, Black. Pairs
Part No JEF/AHFF



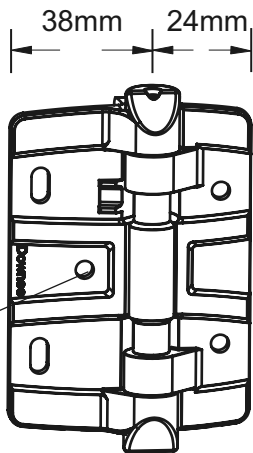
Self Closing
Max Weight 20kg

START

Longest leaf mounts
to Fence Post



Lay the gate flat.
Position Hinges more than
100mm from top/bottom edges.
Mark Hinge holes.
Mount Hinges to the Gate.
Hold the Gate/Hinges against
the post and mark holes,
then mount it.
Use all fasteners provided.



Extra mount
hole

Make sure the gate doesn't
swing past the fence.
Use a Gate Stop to avoid
Latch & Hinge damage.

FINISH

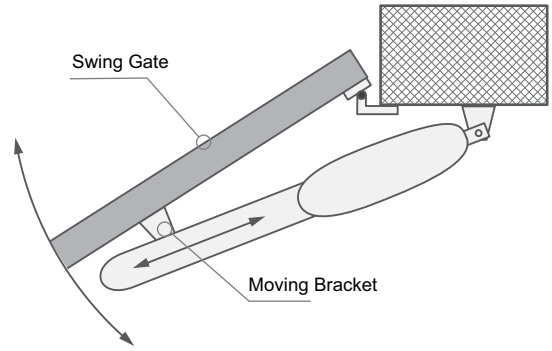
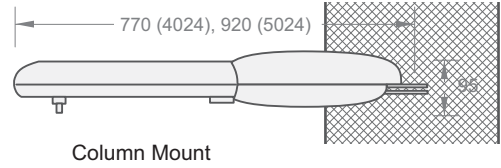
Downee

Maintenance

- Annually inspect hinges or more frequently if the gate is used often.
- Only lubricate with powdered graphite lubricant. Do not use petroleum products

Hinged Gate, Wingo System
Gates to 2mt or 3.5mt wide

- The WINGO is an electromechanical geared motor incorporating a worm drive, used to automate swing gates for residential use.
- Gate operation can be initiated through a variety of fixed wired or portable wireless devices. A special key can be used to enable manual operation in the event of power failure. An optional battery pack can be included as power backup.
- The WG 2024 system can handle gates up to 2mt wide.
- The WG 5024 system can handle gates up to 3.5mt wide.
Operating voltage for both is 24VDC, power 85W.



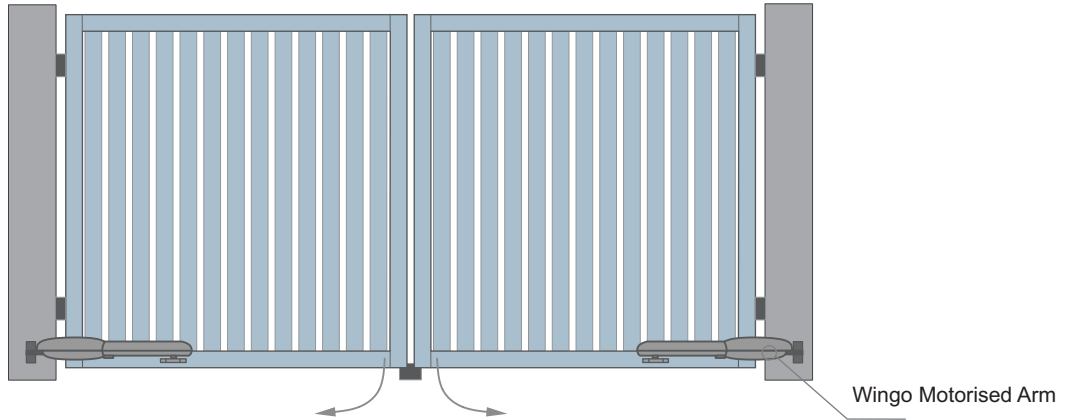
CHECK MANUFACTURERS MANUALS FOR COMPLETE SPECIFICATIONS

General - Wingo is a geared motor system suitable for the automatic opening and closing of hinged type residential gates.
Maximum gate leaf is, for model WG 2024 2mt wide - for model WG 5024 3.5mt wide. See below for weight limitations.

Preliminary Checks -

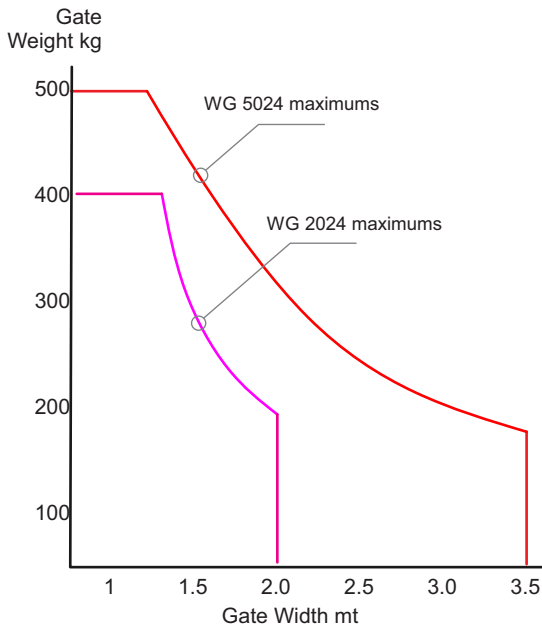
- 1 - The gate opens and closes smoothly . The gate is well balanced at all positions - ie does not have a tendency to move by itself
- 2 - The area for mounting the Wingo gearmotor is easily accessible and allows for the full motion of arm.
- 3 - The gate post is firm and secure

Typical Layout

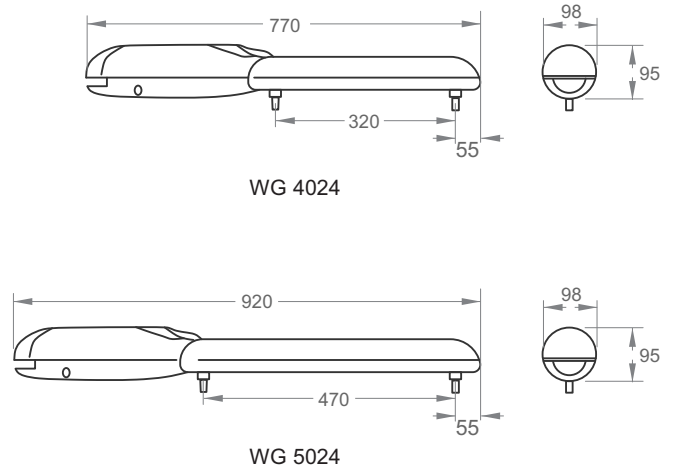


NOTE - REFER MANUFACTURERS CATALOG FOR DETAILED SPECIFICATIONS AND INSTALLATION INSTRUCTIONS

Size/Weight Limits



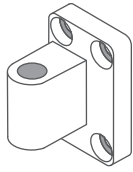
Dimensions



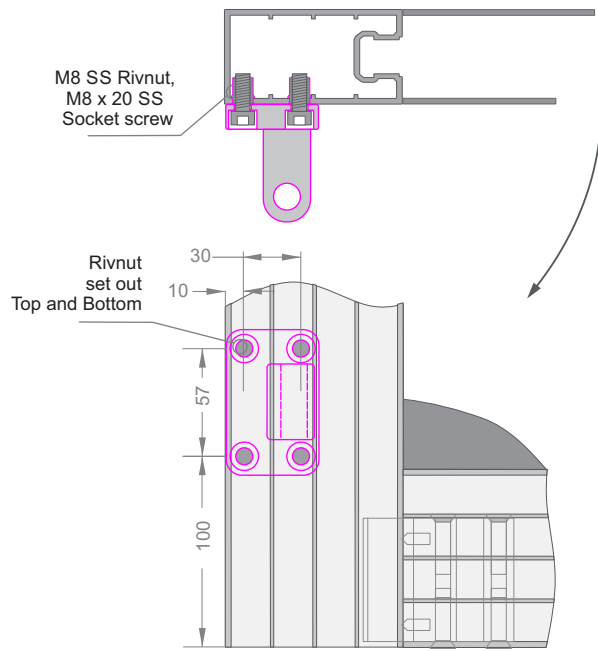
These are maximum allowable size/weight combinations.
Exposed windy sites combined with totally closed designs can reduce these values considerably

- Typical Juralco All Aluminium Gate Weights
- 2mt x 3.5mt Closed Infill type weighs in at 140kg
 - 2mt x 3.5mt Very Open Infill type weighs in at about 80kg

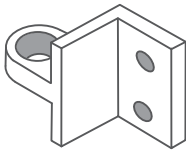
14mm Hinge Bracket Attach to Gate Frame



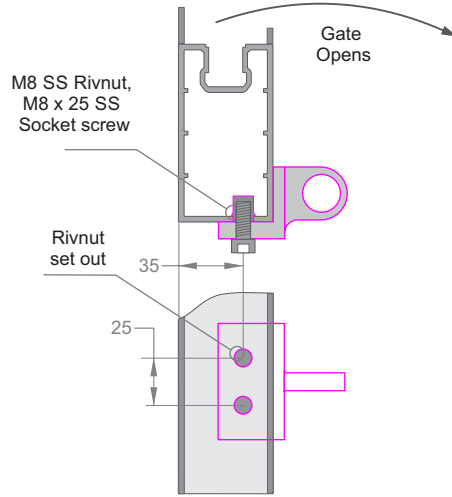
Hinge Socket 14mm dia.
For panels not exceeding 80kg
Bronze, Part No G16



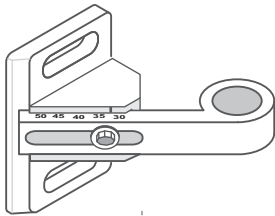
Top Rising Hinge Bracket Attach to Gate Frame



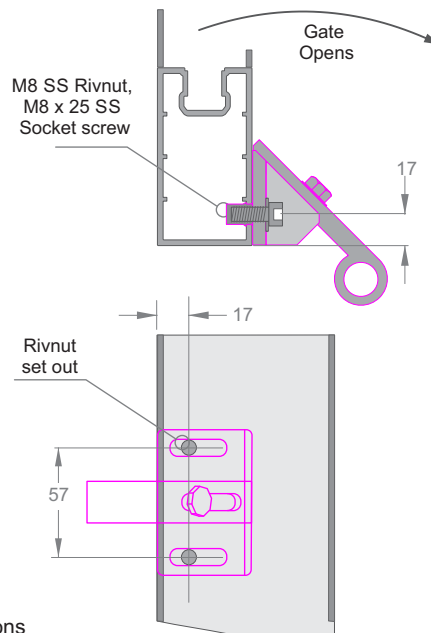
- M8 x 20 SS
- M8 x 14
- M8 Rivnut



Bottom Rising Hinge Bracket Attach to Gate Frame

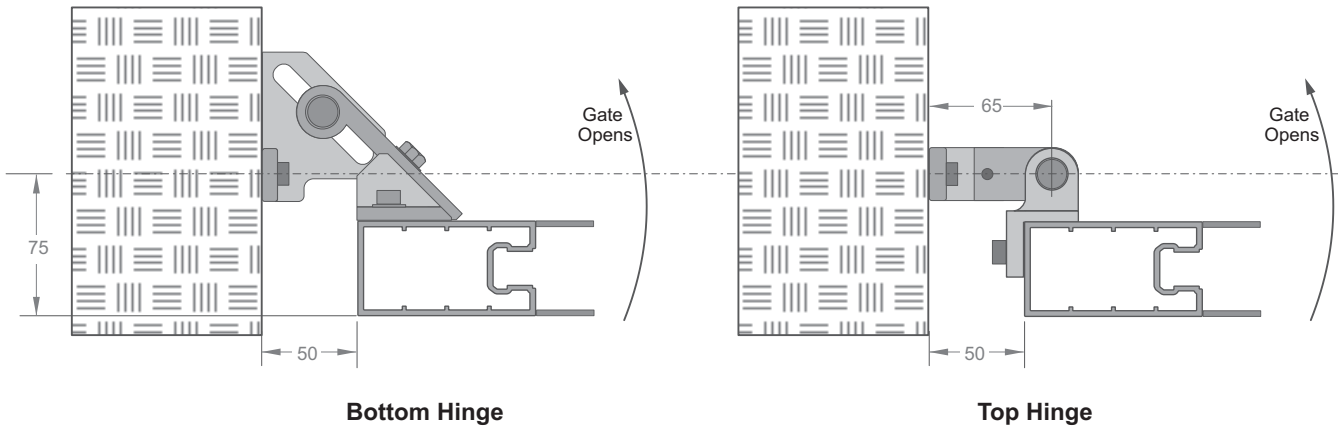


- M8 x 20 SS
- M8 x 14
- M8 Rivnut

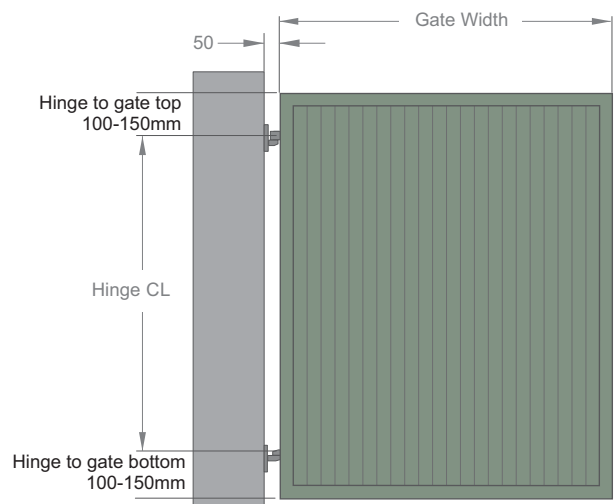
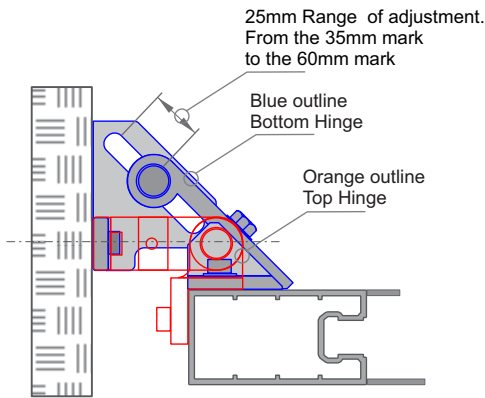


See next Page for Rising Hinge Calculations

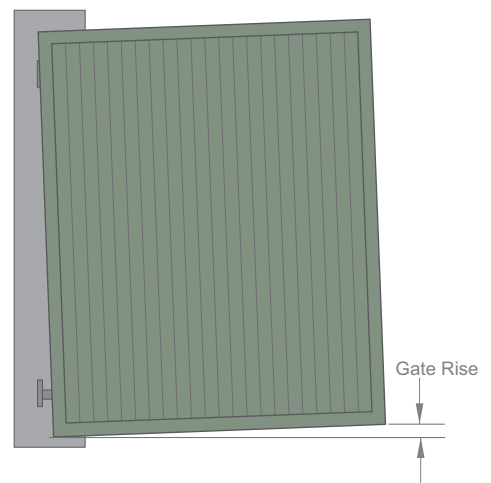
Rising Hinge Setout



Rising Hinge Calculations



GATE CLOSED



GATE OPEN

GATE RISE CALCULATIONS

Bottom Hinge at Minimum, 35mm adjustment

Gate Height	Hinge CL	Gate Width					
		1000	1200	1400	1600	1800	2000
1100	800	81	98	114	130	146	163
1200	900	72	87	101	116	130	144
1300	1000	65	78	91	104	117	130
1500	1200	54	65	76	87	98	108
1700	1400	46	56	65	74	84	93
1900	1600	41	49	57	65	73	81
2100	1800	36	43	51	58	65	72

Bottom Hinge at Middle, 47mm adjustment

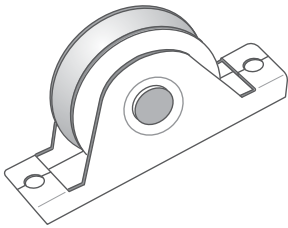
Gate Height	Hinge CL	Gate Width					
		1000	1200	1400	1600	1800	2000
1100	800	106	128	149	170	191	213
1200	900	94	113	132	151	170	189
1300	1000	85	102	119	136	153	170
1500	1200	71	85	99	113	128	142
1700	1400	61	73	85	97	109	121
1900	1600	53	64	74	85	96	106
2100	1800	47	57	66	76	85	94

Bottom Hinge at Maximum, 60mm adjustment

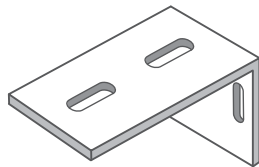
Gate Height	Hinge CL	Gate Width					
		1000	1200	1400	1600	1800	2000
1100	800	131	158	184	210	236	263
1200	900	117	140	163	187	210	233
1300	1000	105	126	147	168	189	210
1500	1200	88	105	123	140	158	175
1700	1400	75	90	105	120	135	150
1900	1600	66	79	92	105	118	131
2100	1800	58	70	82	93	105	117



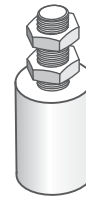
Profiled Support Wheel, 80mm dia
150kg Rating- 304 SS
Part No G02/R1680



Top Guide Bracket, Aluminium
Part No G03/30/TGP
(for use with G03/30 rollers above)



Nylon Guide Roller, White, 304 SS
30mm OD x 40mm
Part No G03/30/SS

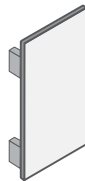


Extended Nylon Guide Roller, White
40mm OD x 290mm
Part No G03/40290/ZP



For Use with
Angled Sliding Gates

Gate Frame End Cap
Part No G25
For 2215, 2222

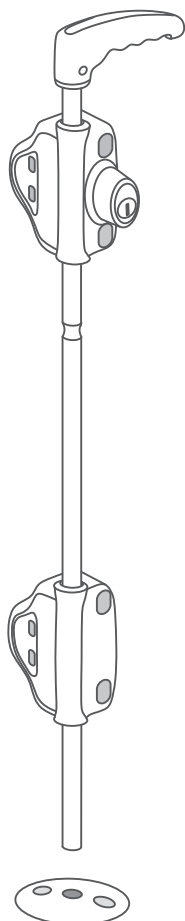


Mush Head Spike
Part No G30
SS 6.5 x 50



For Sliding
Track PN 2229

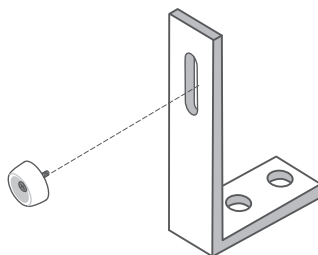
Drop Bolt
610mm OA, Part No J/EF/DB/610



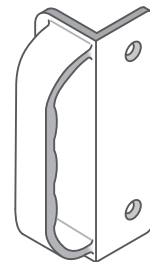
Optional
Drop Bolt Base
Part No
J/EF/BP

End Stop Button
Part No
G05/Button

End Stop
Part No G05
(incl Button)

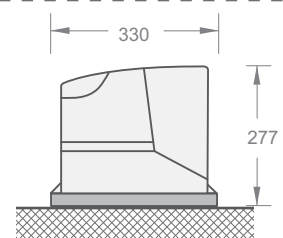


Gate Handle
Nylon, Black.
Part No J/EF/GH

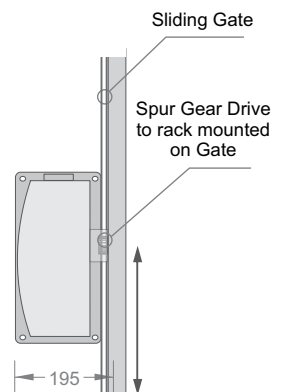


Sliding Gate, Robus System
Gates to 5.5mt long

- The Robus 400 is an electromechanical geared motor incorporating a rack and pinion drive, used to automate sliding gates for residential use.
- Gate operation can be initiated through a variety of fixed wired or portable wireless devices.
A special key can be used to enable manual operation in the event of power failure. An optional battery pack can be included as power backup.
- Operating voltage is 230VAC, power 250VA
- Maximum Gate weight is 400kg.



Ground Mount

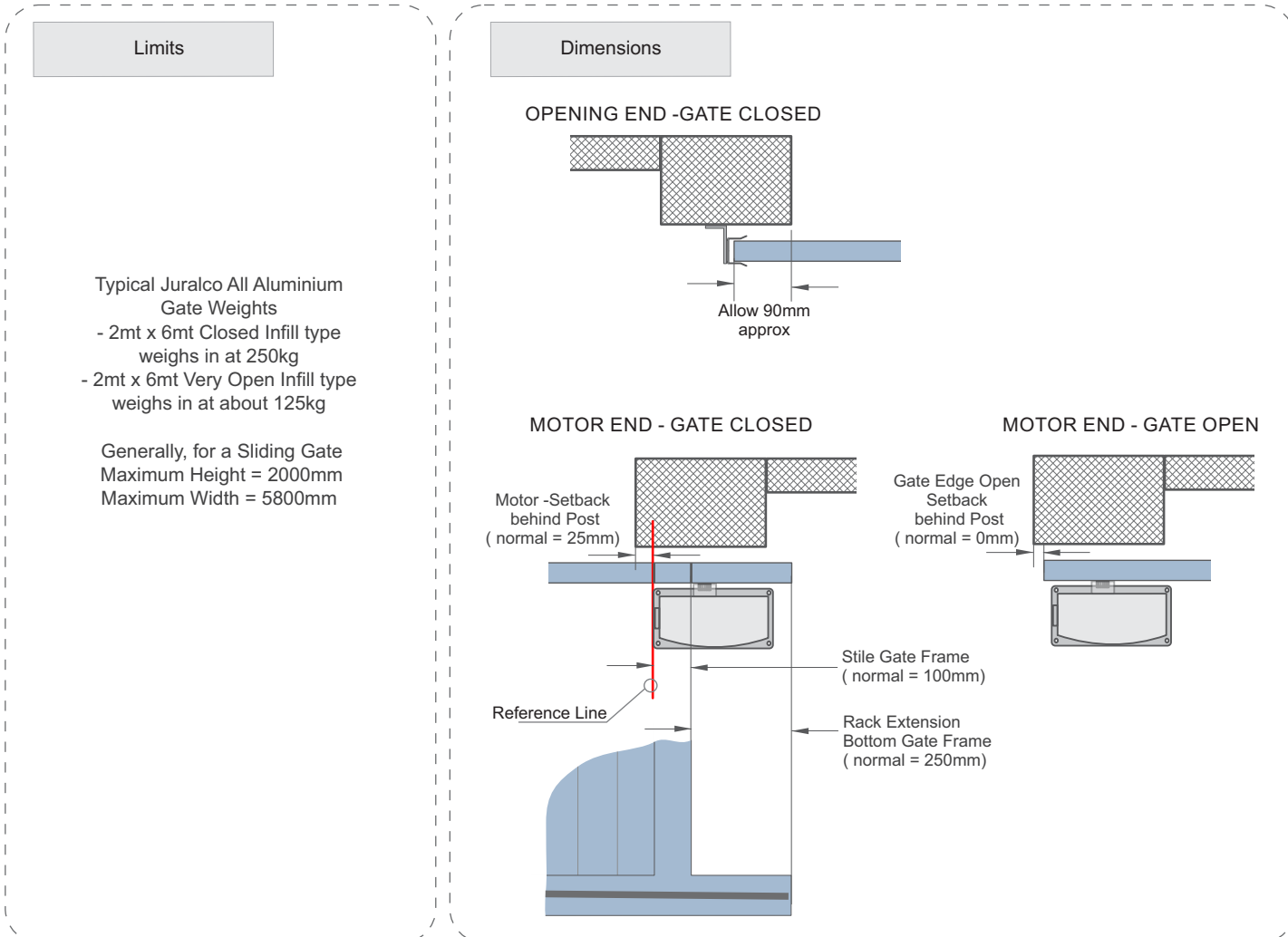
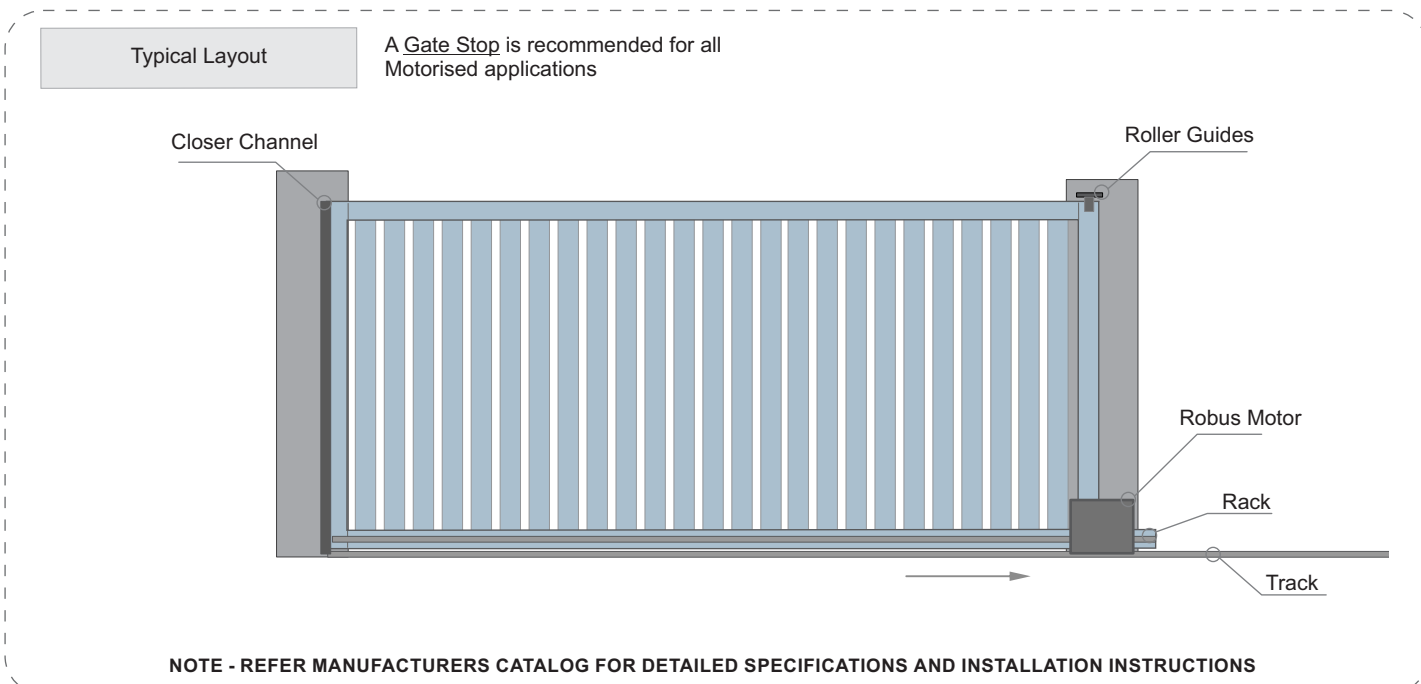


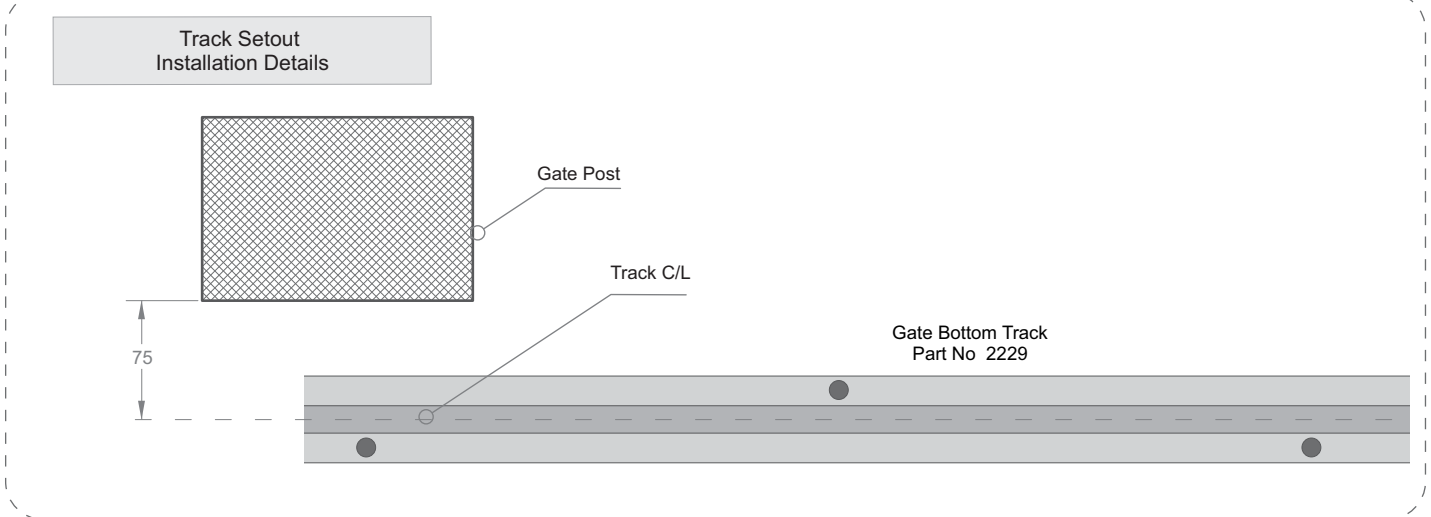
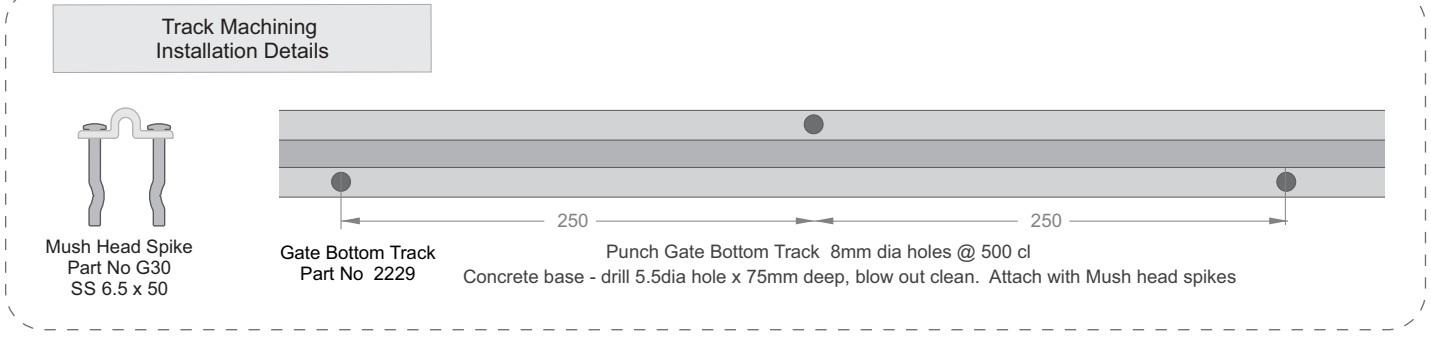
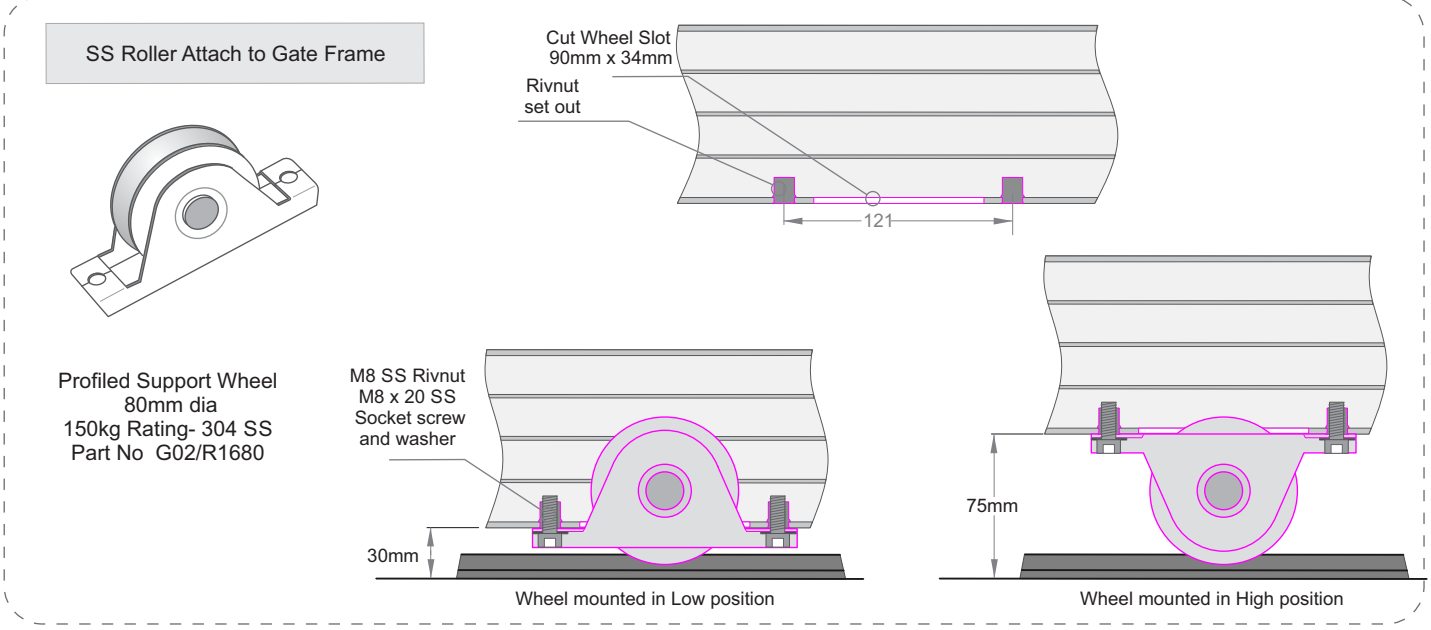
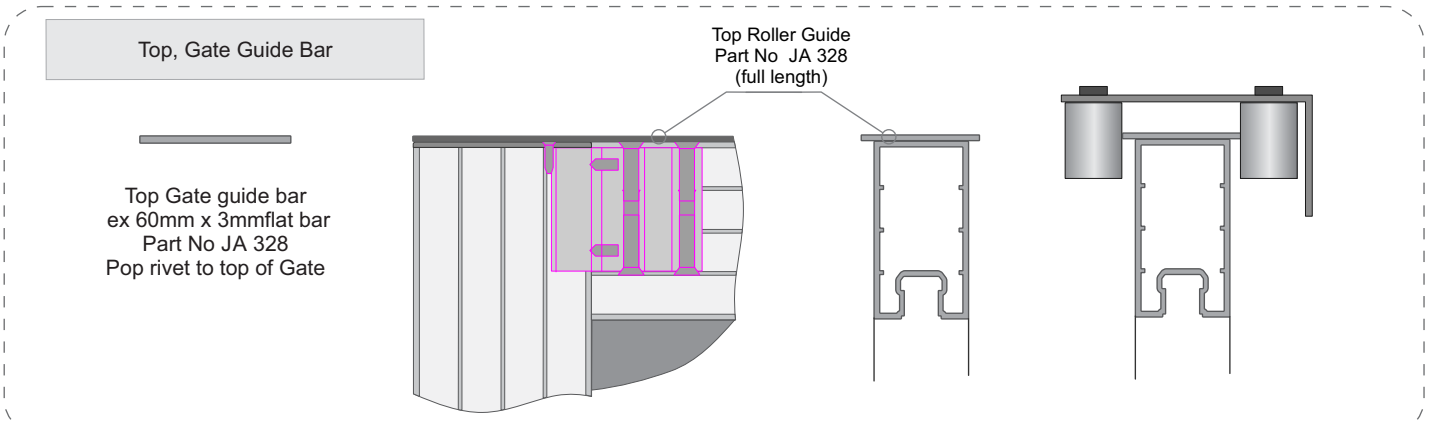
CHECK MANUFACTURERS MANUALS FOR
COMPLETE SPECIFICATIONS

General - ROBUS is a geared motor system suitable for the automatic opening and closing of sliding type residential gates.
Maximum gate leaf is 5.5mt x 2mt weighing up to 400kg

Preliminary Checks -

- 1 - The gate opens and closes smoothly . The gate is well balanced at all positions - ie does not have a tendency to move by itself
- 2 - The area for mounting the Robus gearmotor is easily accessible
- 3 - The gate post is firm and secure

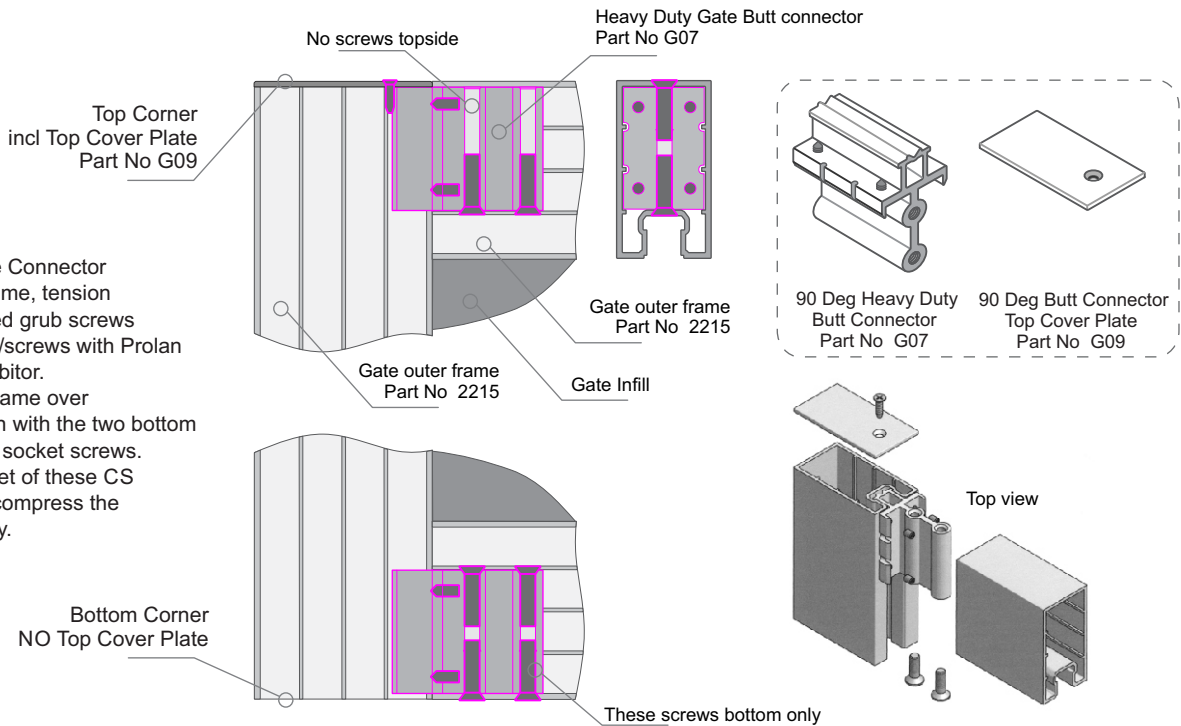




Butt Corners
Gate Outer Frame

IMPORTANT NOTE
This is the Standard Joint Method for all Gates
Miter joints only for 2216 48mm Extrusion

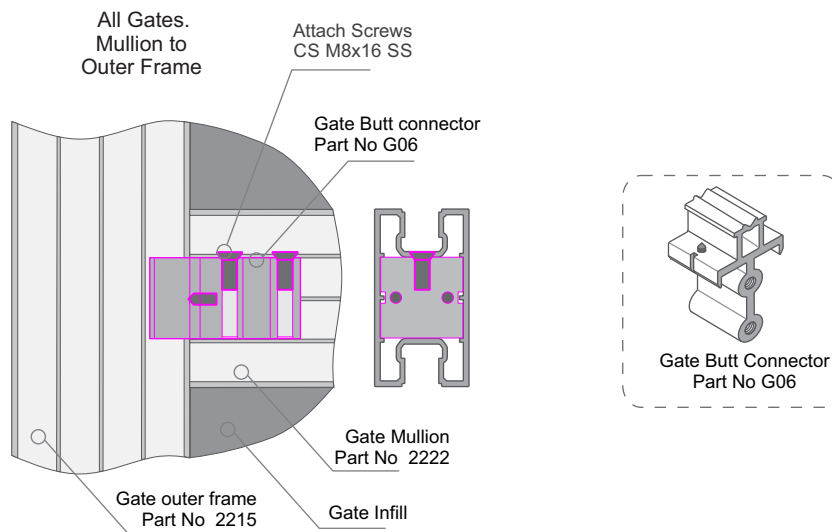
- 1 - Position the Connector in the Gate frame, tension the four pointed grub screws
- 2 - Smear joint/screws with Prolan corrosion inhibitor.
- 3 - Slide the Frame over and then attach with the two bottom M8x20CS SS socket screws. The slight offset of these CS holes should compress the butt joint tightly.
- 4 - Cleanup



Butt Corner for Mullion
Gate Outer Frame

- 1 - Position the Connector in the Gate frame, tension the two pointed grub screws.
- 2 - Smear joint/screws with Prolan corrosion inhibitor.
- 3 - Slide the Frame/Mullion over and then attach with the two M8x16CS SS socket screws. The slight offset of these CS holes should compress the butt joint tightly.
- 4 - Cleanup

All Gates.
Mullion to
Outer Frame

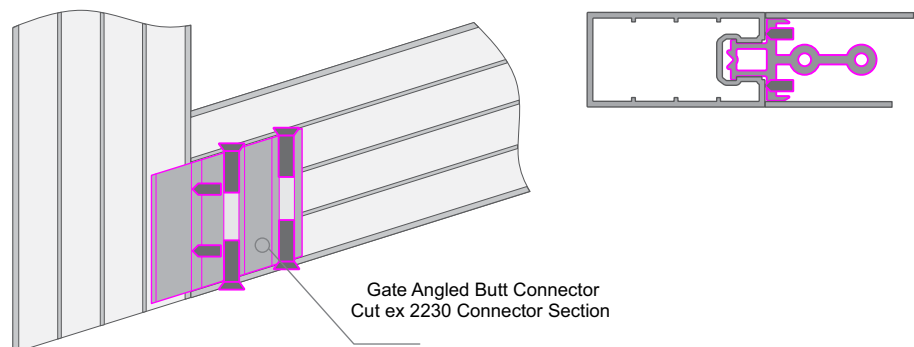


Gate Butt Connector
Part No G06

Angled Butt Corner for
Gate Outer Frame (Bottom only)

IMPORTANT NOTE
For Hinged Gates, any width over 2000mm
will require Welded Corners

- 1 - Position the Connector in the Gate frame, tension the four pointed grub screws.
- 2 - Smear joint/screws with Prolan corrosion inhibitor.
- 3 - Slide the Frame over and then attach with the four M8x20CS SS socket screws. The slight offset of these CS holes should compress the butt joint tightly.
- 4 - Cleanup

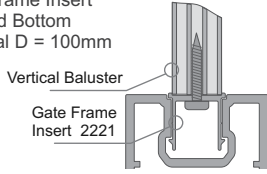


Gate Angled Butt Connector
Cut ex 2230 Connector Section

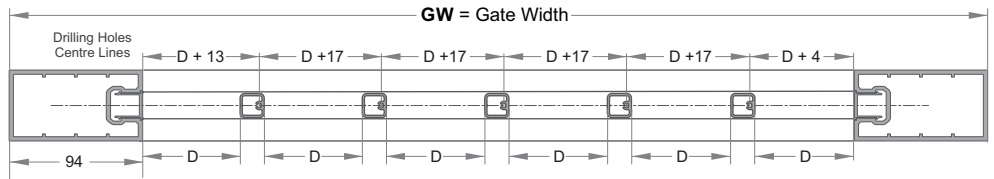
Apart from Infill Design No3 - T&G Slat (completely Closed) No of Balusters/Slats/Louvres may be chosen to give any desired "D" value. Recommendations only below

Infill, No 1, 17mm sq Baluster Open

Vertical Baluster attached to Gate Frame Insert Top and Bottom Nominal D = 100mm



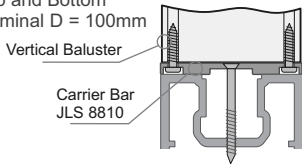
Balusters - Punch Gate Frame Insert, 4mm dia holes at nominal D = 100mmCL, Attach with No 4 x 16 PK Pan



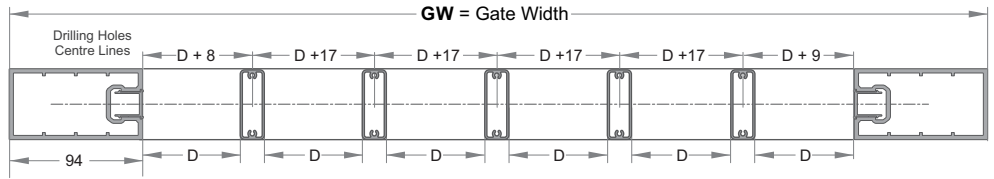
Choose No of Balusters for a "D" gap value of about 100mm

Infill, No 1A, 49mm Slat Open

Vertical Baluster attached to Gate Frame Insert Top and Bottom Nominal D = 100mm



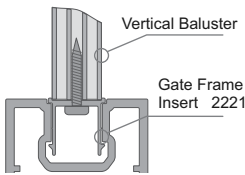
Balusters - Punch Gate Frame Insert, 4mm dia holes at nominal D = 100mmCL, Attach with No 4 x 16 PK Pan



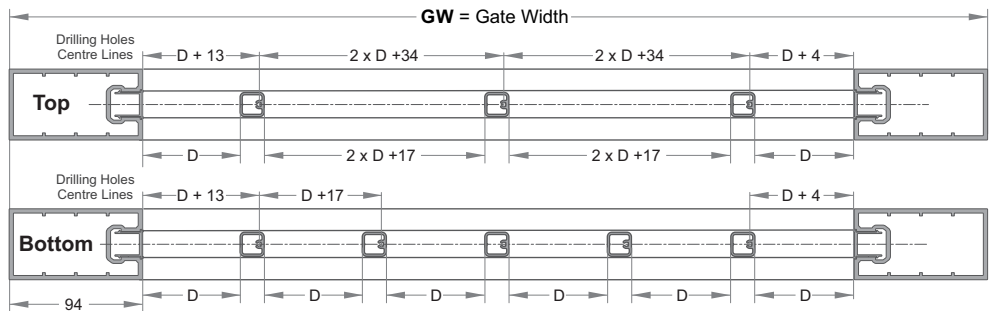
Choose No of Balusters for a "D" gap value of about 100mm

Infill No 2, 17mm Baluster Top and Bottom - Open

Vertical Baluster attached to Gate Frame Insert Top and Bottom CL, nominal D = 100mm, Top CL every second bottom Baluster. Horizontal Mullion.



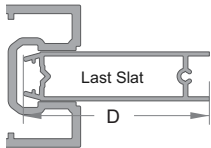
Punch Gate Frame Insert, 4mm dia holes, Attach with No 4 x 16 PK Pan. **Bottom must be Odd no of balusters.**



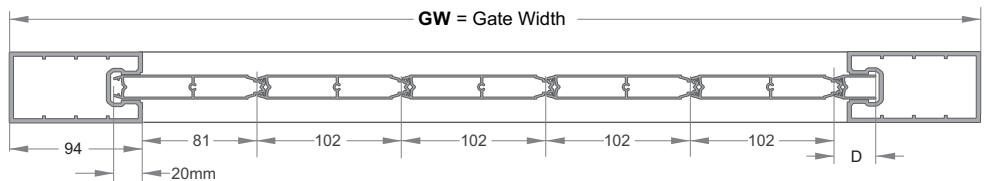
Choose Bottom No of Balusters (must be and ODD number) for a "D" gap value of about 100mm

Infill No 3, T&G Slat - Closed

Vertical T&G Slats insert fully into the Gate Frame Top, Bottom and Sides. (Ie Insert not needed) One slat to be ripped.



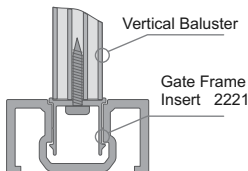
Note - Screw a No 6 x 10 screw into every joint, top and bottom to stop rattling.



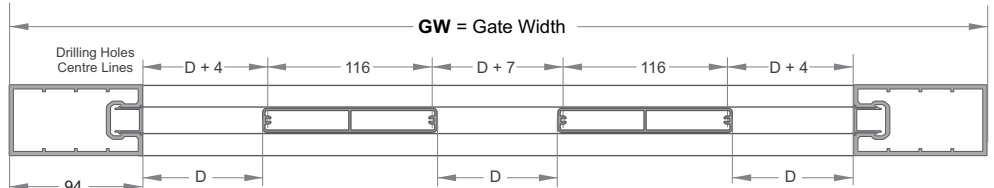
Choose No of Slats for a positive "D" value, must be between 0 and 100mm

Infill No 4, 123mm Slat - Semi Open

Vertical Slats attached to Gate Frame Inserts Top and Bottom. Infill inserts to Sides Nominal D = 100mm



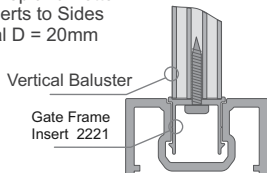
Slats - Punch Gate Frame Insert, 4mm dia holes at CL, Attach with No 4 x 16 PK Pan



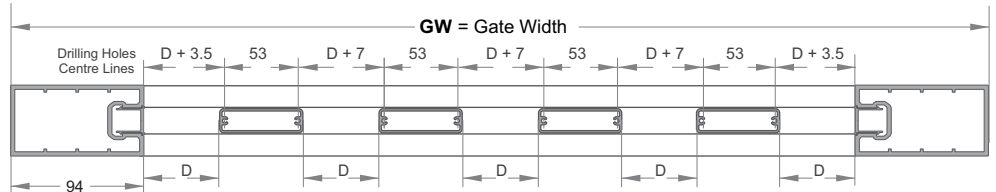
Choose No of Slats for a "D" gap value of about 100mm

**Infill No 8, 60mm Slat
- Semi Open**

Vertical Slats attached to Gate Frame Inserts Top and Bottom. Infill inserts to Sides. Nominal D = 20mm



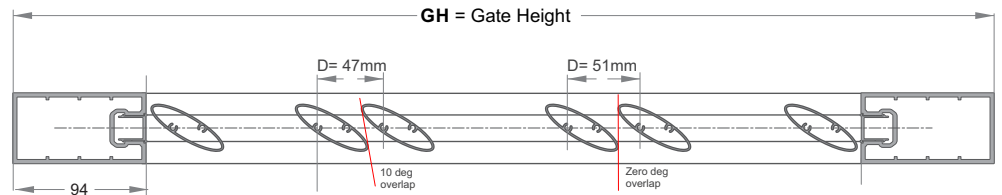
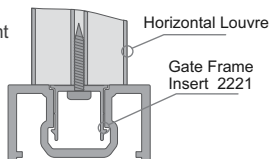
Slats - Punch Gate Frame Insert, 4mm dia holes at CL, Attach with No 4 x 16 PK Pan



Choose No of Slats for a "D" gap value of about 20mm

**Infill No 5, 58mm Louvre
- Semi Open**

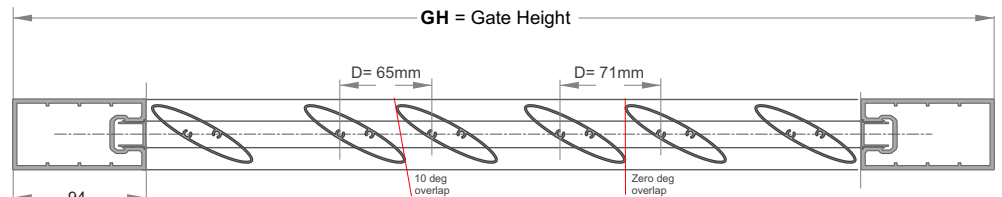
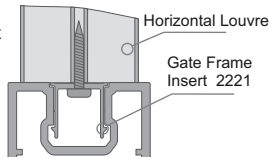
Horizontal Louvres attached to Gate Frame Inserts at Sides. Infill inserts to Top and Bottom. Max Gate width 1.5mt



Choose No of Louvres for a "D" C/L value about 40 - 50mm
See over for detailed 58mm Louvre setout

**Infill No 6, 80mm Louvre
- Semi Open**

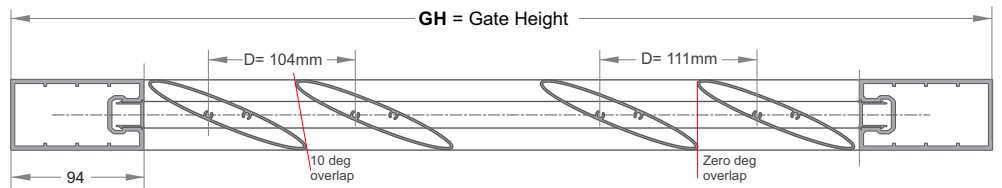
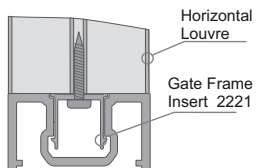
Horizontal Louvres attached to Gate Frame Inserts at Sides. Infill inserts to Top and Bottom. Max Gate width 3.0mt



Choose No of Louvres for a "D" C/L value about 55 - 65mm
See over for detailed 80mm Louvre setout

**Infill No 7, 120mm Louvre
- Semi Open**

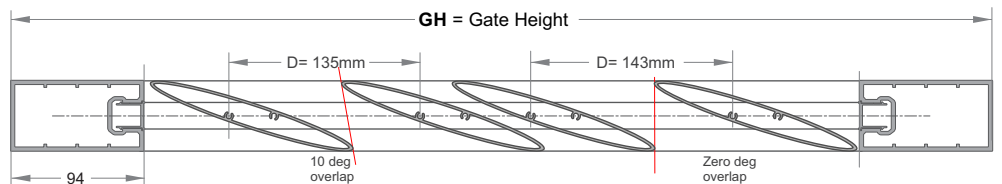
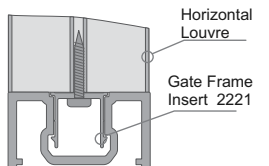
Horizontal Louvres attached to Gate Frame Inserts at Sides. Infill inserts to Top and Bottom. Max Gate width 5.0mt



Choose No of Louvres for a "D" C/L value between about 90 - 105mm
See over for detailed 120mm Louvre setout

**Infill No 8, 150mm Louvre
- Semi Open**

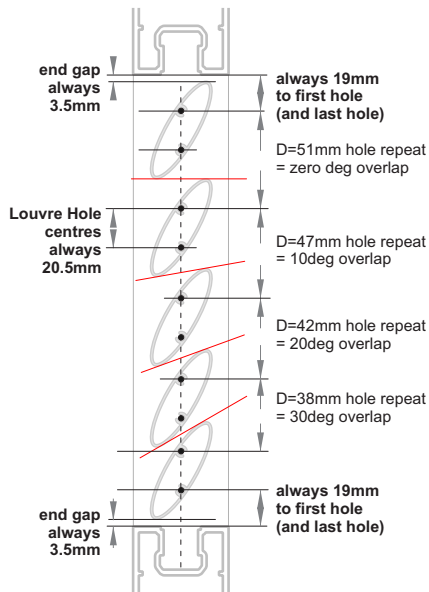
Horizontal Louvres attached to Gate Frame Inserts at Sides. Infill inserts to Top and Bottom. Max Gate width 5.0mt



Choose No of Louvres for a "D" C/L value between about 115 - 140mm
See over for detailed 150mm Louvre setout

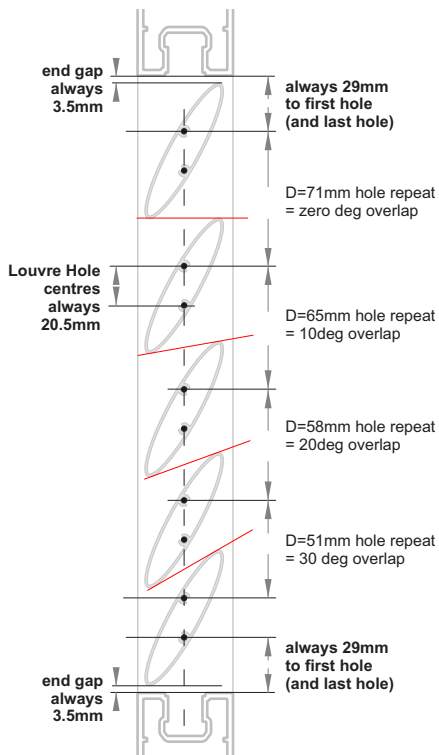
Hole Setouts
for all Louvres

**Infill No 5 58mm Louvre
- Semi Open Setout**



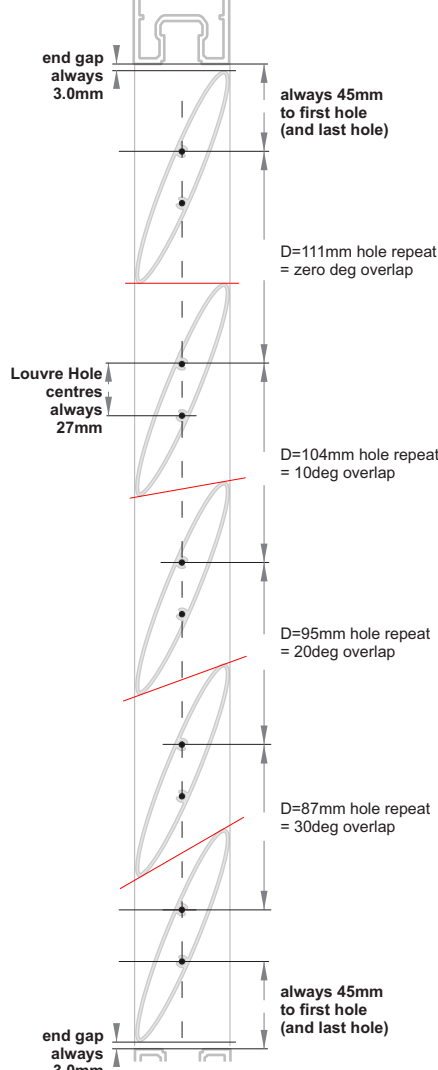
For the 58mm Louvre
Choose the number of louvres
to give a required "D" value
Suggested value about 40-50mm,
depending on the required overlap

**Infill No 6, 80mm Louvre
Semi Open Setout**



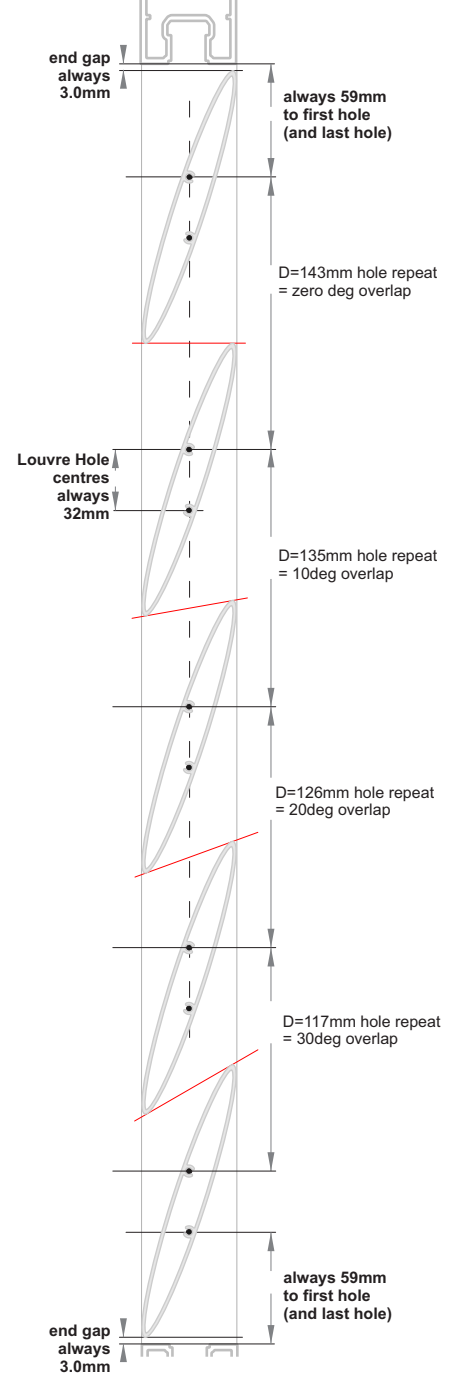
For the 80mm Louvre
Choose the number of louvres
to give a required "D" value
Suggested value about 55-65mm
depending on the required overlap

**Infill No 7, 120mm Louvre
Semi Open Setout**



For the 120mm Louvre
Choose the number of louvres
to give a required "D" value
Suggested value about 90-105mm
depending on the required overlap

**Infill No 8, 150mm Louvre
Semi Open Setout**



For the 150mm Louvre
Choose the number of louvres
to give a required "D" value
Suggested value about 115-140mm
depending on the required overlap

Important Note : These are all nominal measurements. Check with real extrusions

Architectural Series Gate and Fence System - Vehicle Gate Worksheet/Order Form

Customer	Date
Vehicle Gates Hinged or Sliding	Order No
	WO <small>Juralco</small> BR <small>Juralco</small> SO <small>Juralco</small> \$ <small>Juralco</small>
Enter details then scan and send to sales@juralco.co.nz . This Order for Gate Frame + Infills only. Order components separately	

1 Gate(s) Operation	Only applies to Single Hinged or Sliding Gates. Latch or Motor Install Side as viewed from Roadside RH <input type="checkbox"/> LH <input type="checkbox"/>	Note: Sliding Gate, Motorised. The Bottom Rail is increased in width by 300mm, (motor side) over the Gate Frame width. Hinged Gate width as per normal.
Manual <input type="checkbox"/> Motor(s) <input type="checkbox"/>	For Motor operation. Single Hinged = 1 x Wingo Motor Double Hinged = 2 x Wingo Motors Single Sliding - 1 x Robus notor	

2 Gate Infills See previous pages for detailed layouts. You must supply an accurate drawing if for a custom design, based on one of these standard designs. Talk to your Juralco representative	<table border="1" style="width:100%; border-collapse: collapse;"> <thead> <tr> <th style="width:5%;">No</th> <th style="width:55%;">Infill Description</th> <th style="width:20%;">Base Suitable for</th> <th style="width:20%;">Select</th> </tr> </thead> <tbody> <tr><td>1</td><td>17 dia Baluster, 115mm spacing</td><td>Square, Angled</td><td></td></tr> <tr><td>2</td><td>49mm slat (Edge on) 115mm spacing</td><td>Square, Angled</td><td></td></tr> <tr><td>3</td><td>17mm Baluster , Top and Bottom</td><td>Square, Angled</td><td></td></tr> <tr><td>4</td><td>T&G Slat</td><td>Square, Angled</td><td></td></tr> <tr><td>5</td><td>123mm Slat, up to 100mm gaps.</td><td>Square, Angled</td><td></td></tr> <tr><td>6</td><td>T&G Slat, 94mm divider, 60mm slat Top</td><td>Square, Angled</td><td></td></tr> <tr><td>7</td><td>T&G 60mm slat , 20mm gaps</td><td>Square, Angled</td><td></td></tr> <tr><td>8</td><td>58mm Louvre + small Gaps. Horizontal</td><td>Square only</td><td></td></tr> <tr><td>9</td><td>80mm Louvre + small Gaps. Horizontal</td><td>Square only</td><td></td></tr> <tr><td>10</td><td>120mm Louvre + small Gaps. Horizontal</td><td>Square only</td><td></td></tr> <tr><td>11</td><td>150mm Louvre + small Gaps. Horizontal</td><td>Square only</td><td></td></tr> </tbody> </table>	No	Infill Description	Base Suitable for	Select	1	17 dia Baluster, 115mm spacing	Square, Angled		2	49mm slat (Edge on) 115mm spacing	Square, Angled		3	17mm Baluster , Top and Bottom	Square, Angled		4	T&G Slat	Square, Angled		5	123mm Slat, up to 100mm gaps.	Square, Angled		6	T&G Slat, 94mm divider, 60mm slat Top	Square, Angled		7	T&G 60mm slat , 20mm gaps	Square, Angled		8	58mm Louvre + small Gaps. Horizontal	Square only		9	80mm Louvre + small Gaps. Horizontal	Square only		10	120mm Louvre + small Gaps. Horizontal	Square only		11	150mm Louvre + small Gaps. Horizontal	Square only	
No	Infill Description	Base Suitable for	Select																																														
1	17 dia Baluster, 115mm spacing	Square, Angled																																															
2	49mm slat (Edge on) 115mm spacing	Square, Angled																																															
3	17mm Baluster , Top and Bottom	Square, Angled																																															
4	T&G Slat	Square, Angled																																															
5	123mm Slat, up to 100mm gaps.	Square, Angled																																															
6	T&G Slat, 94mm divider, 60mm slat Top	Square, Angled																																															
7	T&G 60mm slat , 20mm gaps	Square, Angled																																															
8	58mm Louvre + small Gaps. Horizontal	Square only																																															
9	80mm Louvre + small Gaps. Horizontal	Square only																																															
10	120mm Louvre + small Gaps. Horizontal	Square only																																															
11	150mm Louvre + small Gaps. Horizontal	Square only																																															

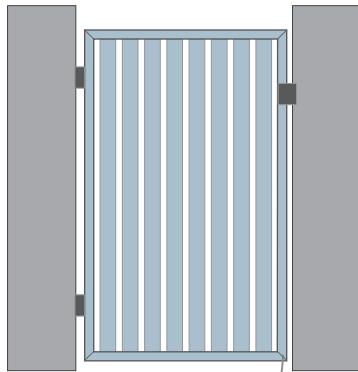
3 Gate Frame Dimensions.	1- Gate(s) viewed from Roadside. 2 - For Square Gates H1=H2=H3. 3 - All dimensions overall																	
	Dimensions Single Hinged, Sliding (H1,H2) Double Hinged (H1,H2,H3)	<table style="width:100%;"> <tr> <td style="width:25%; text-align: center;"><input type="text"/> mm</td> <td style="width:25%; text-align: center;"><input type="text"/> mm</td> <td style="width:25%; text-align: center;"><input type="text"/> mm</td> <td style="width:25%; text-align: center;"><input type="text"/> mm</td> </tr> <tr> <td style="text-align: center;">Dimension H1 Frame Height</td> <td style="text-align: center;">Dimension H2 Frame Height</td> <td style="text-align: center;">Dimension H3 Frame Height</td> <td style="text-align: center;">Dimension W1 Frame Width</td> </tr> </table>	<input type="text"/> mm	<input type="text"/> mm	<input type="text"/> mm	<input type="text"/> mm	Dimension H1 Frame Height	Dimension H2 Frame Height	Dimension H3 Frame Height	Dimension W1 Frame Width								
<input type="text"/> mm	<input type="text"/> mm	<input type="text"/> mm	<input type="text"/> mm															
Dimension H1 Frame Height	Dimension H2 Frame Height	Dimension H3 Frame Height	Dimension W1 Frame Width															
	<table style="width:100%;"> <tr> <td style="width:25%; text-align: center;"><input type="text"/> mm</td> <td style="width:25%; text-align: center;"><input type="text"/> mm</td> <td style="width:25%; text-align: center;"><input type="text"/> mm</td> <td style="width:25%; text-align: center;"><input type="text"/> mm</td> </tr> <tr> <td style="text-align: center;">Dimension H1 Frame Height</td> <td style="text-align: center;">Dimension H2 Frame Height</td> <td style="text-align: center;">Dimension H3 Frame Height</td> <td style="text-align: center;">Dimension W2 Frame Width</td> </tr> </table>	<input type="text"/> mm	<input type="text"/> mm	<input type="text"/> mm	<input type="text"/> mm	Dimension H1 Frame Height	Dimension H2 Frame Height	Dimension H3 Frame Height	Dimension W2 Frame Width	<table style="width:100%;"> <tr> <td style="width:25%; text-align: center;"><input type="text"/> mm</td> <td style="width:25%; text-align: center;"><input type="text"/> mm</td> <td style="width:25%; text-align: center;"><input type="text"/> mm</td> <td style="width:25%; text-align: center;"><input type="text"/> mm</td> </tr> <tr> <td style="text-align: center;">Dimension H1 Frame Height</td> <td style="text-align: center;">Dimension H2 Frame Height</td> <td style="text-align: center;">Dimension H3 Frame Height</td> <td style="text-align: center;">Dimension W2 Frame Width</td> </tr> </table>	<input type="text"/> mm	<input type="text"/> mm	<input type="text"/> mm	<input type="text"/> mm	Dimension H1 Frame Height	Dimension H2 Frame Height	Dimension H3 Frame Height	Dimension W2 Frame Width
<input type="text"/> mm	<input type="text"/> mm	<input type="text"/> mm	<input type="text"/> mm															
Dimension H1 Frame Height	Dimension H2 Frame Height	Dimension H3 Frame Height	Dimension W2 Frame Width															
<input type="text"/> mm	<input type="text"/> mm	<input type="text"/> mm	<input type="text"/> mm															
Dimension H1 Frame Height	Dimension H2 Frame Height	Dimension H3 Frame Height	Dimension W2 Frame Width															

4 Select Powder Coat Type and Colour Duralloy <input type="checkbox"/> Duratec <input type="checkbox"/>	Specify PC Colour and Code <input style="width:100%;" type="text"/>
--	--

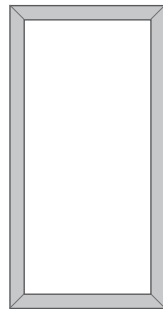
5 Comments	
-------------------	--

Pedestrian Gate infill designs

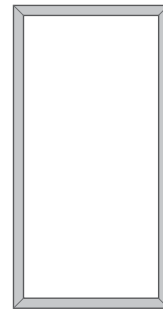
- A typical selection of possible Gate Infill Designs. Rectangular, Square Base only.
- Frame 48mm extrusion, or 94mm extrusion
- Hinged only



Narrow, Single Leaf Hinged Gates

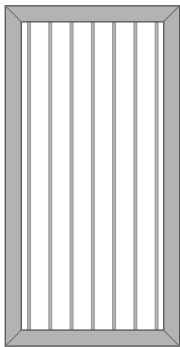


94mm Frame



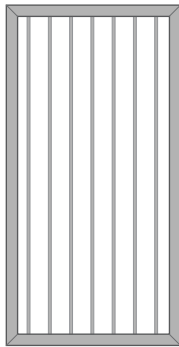
48mm Frame

Nominal Baluster CL Spacing = 115mm



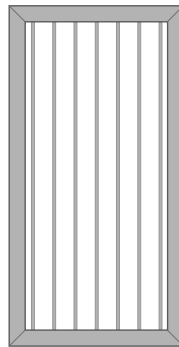
94mm Frame

Infill Design No 1
17mm sq Baluster



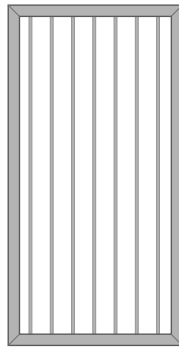
48mm Frame

Nominal Baluster CL Spacing = 115mm



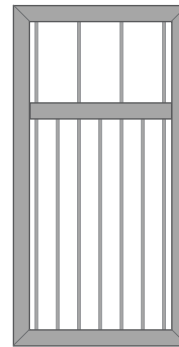
94mm Frame

Infill Design No 2
49mm Slat (Edge on)



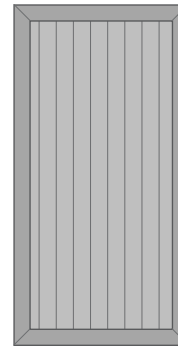
48mm Frame

Nominal Baluster Spacing
Top CL = 200mm
Bottom CL = 115mm



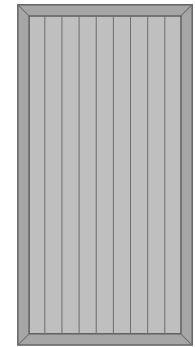
94mm Frame (not 48mm)

Infill Design No 3
Top, Bottom
17mm sq Baluster



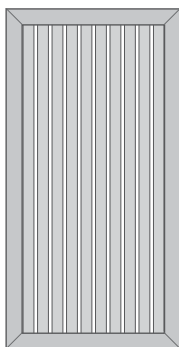
94mm Frame

Infill Design No 4
T & G Slat



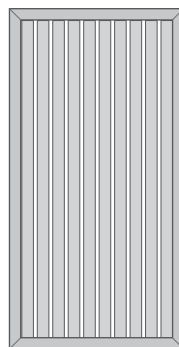
48mm Frame

Nominal Slat Open Gap = 20mm

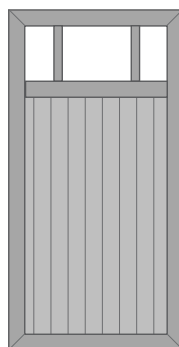


94mm Frame

Infill Design No 5
60mm Slat Infill



48mm Frame



94mm Frame (not 48mm)

Infill Design No 6
60mm Slat Infill + 94mm Divider



94mm Frame

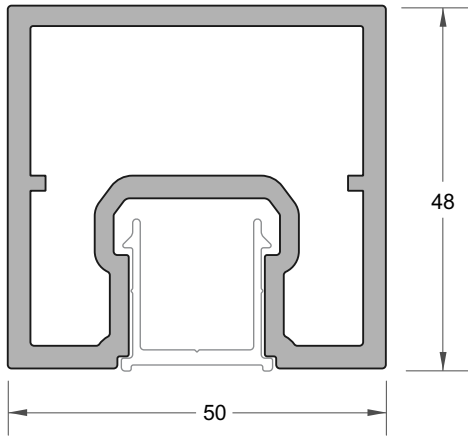
Infill Designs No 7 - 9
Horizontal Louvre Infill
No 7 - 58mm Louvre,
No 8 - 80mm Louvre
No 9 - 120mm Louvre



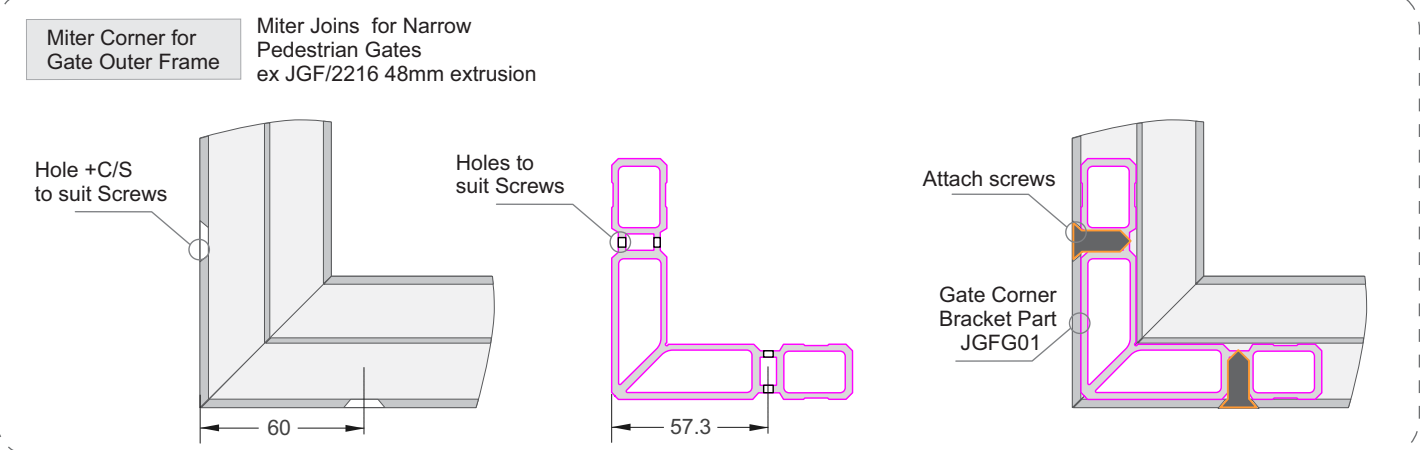
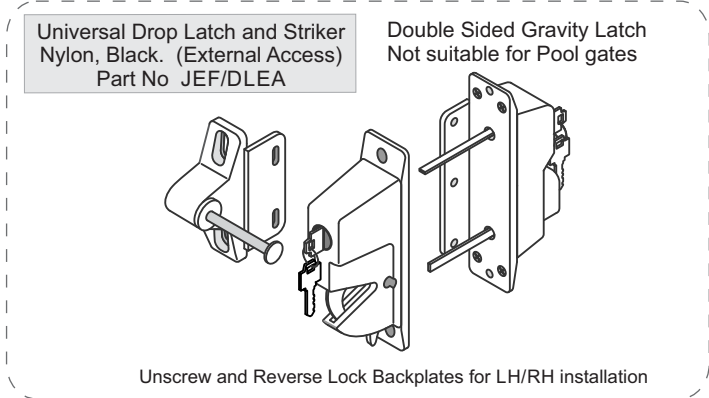
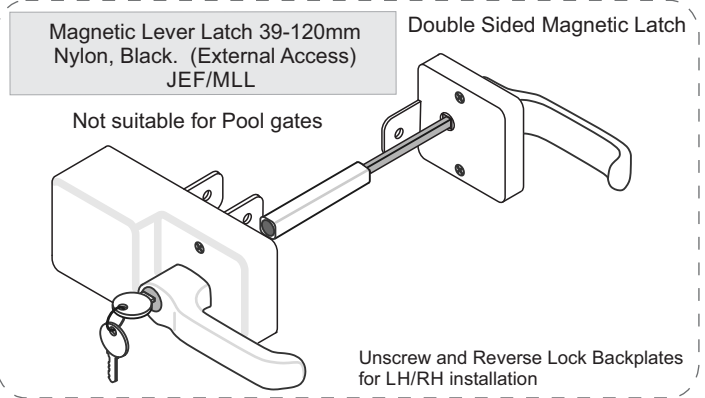
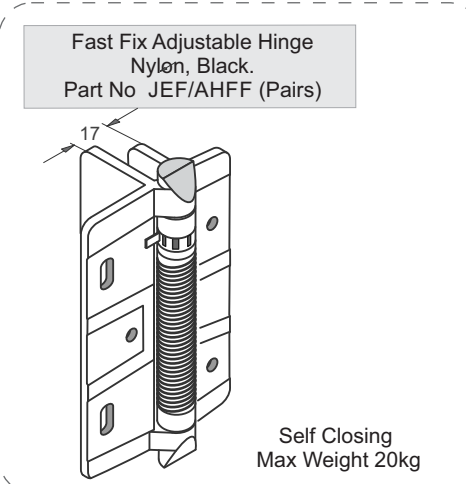
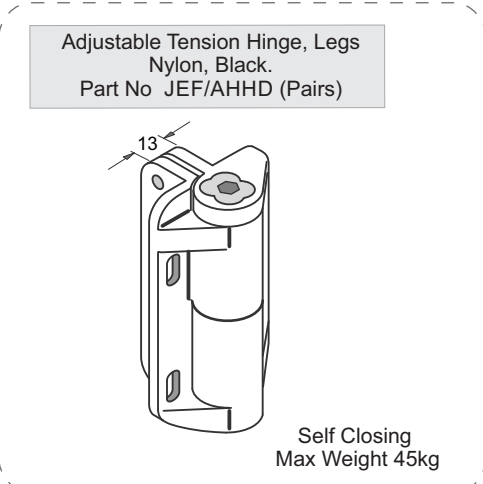
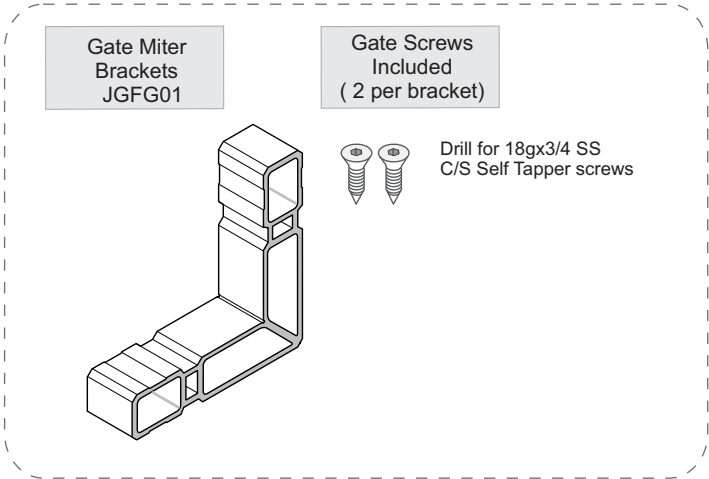
48mm Frame

Components and Lockware all as per normal Gate Design

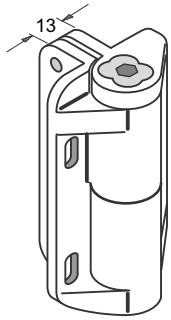
If Using the 94mm Gate Frame Extrusion, all details as per Section 2



GATE OUTER FRAME, SMALL
JGF/2216



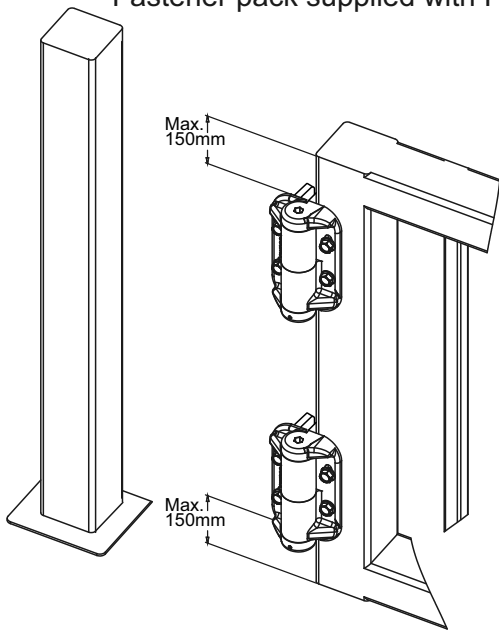
Heavy Duty Adjustable Tension Hinge, Legs. Nylon, Black. Pairs Part No JEF/AHHD



Self Closing
Max Weight 45kg

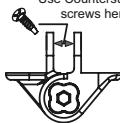
START

Fastener pack supplied with Hinge



Lay the gate flat.
Position Hinges more than 100mm from top/bottom edges.
Mark Hinge holes.
Mount Hinges to the Gate.
Hold the Gate/Hinges against post and mark holes then mount it.
Use all fasteners provided.

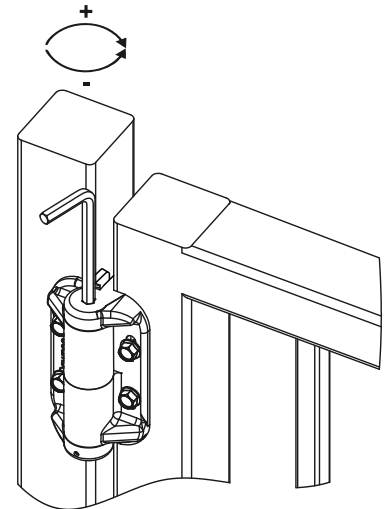
Note: Two types of fasteners are supplied. Use Countersunk screws here.



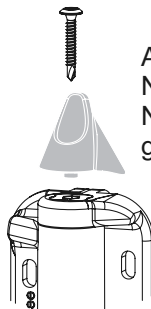
With Gate closed adjust the tension of both hinges. Using the 6mm allen key provided, rotate in ¼ increments.

Turn clockwise to increase tension.
Turn it in the opposite direction to reduce tension.-

Warning:
Don't rotate tensioner more than two full turns.
Important:
Support the gate weight while adjusting tension



Add the Anti-Step cap to the bottom hinge. Note locator notch on both parts. Nip it up with a screwdriver. Slightly open gate 25mm to check the gate closes.



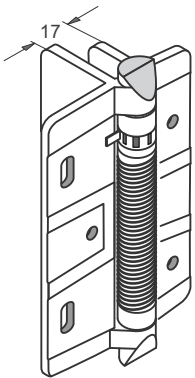
FINISH

Downee

Maintenance

- Annually inspect hinges or more frequently if the gate is used often.
- Only lubricate with powdered graphite lubricant. Do not use petroleum products

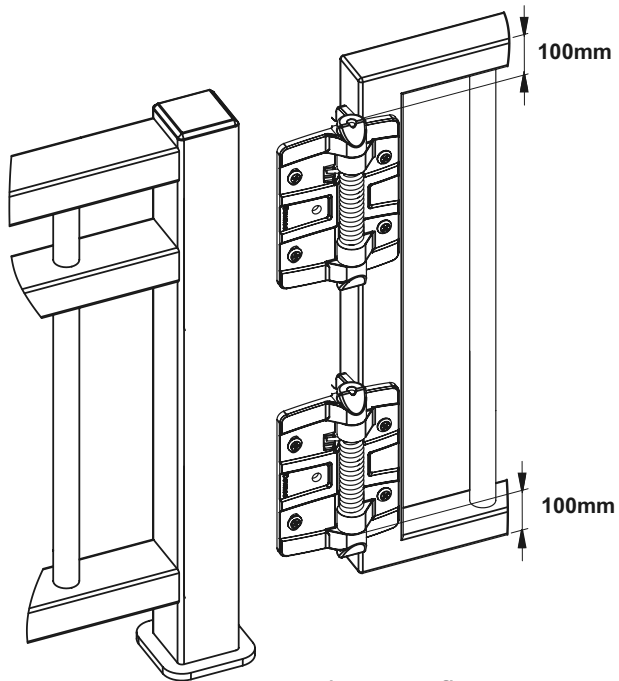
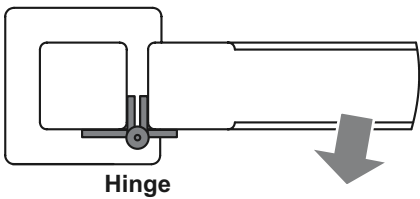
Fast Fix, Adjustable Tension
Nylon, Black. Pairs
Part No JEF/AHFF



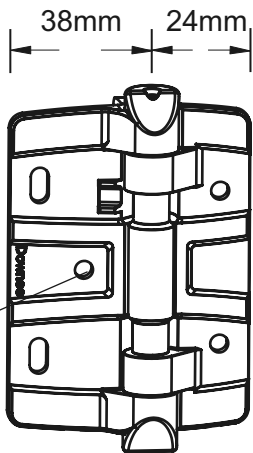
Self Closing
Max Weight 20kg

START

Longest leaf
mounts
to Fence Post



Lay the gate flat.
Position Hinges more than
100mm from top/bottom edges.
Mark Hinge holes.
Mount Hinges to the Gate.
Hold the Gate/Hinges against
the post and mark holes,
then mount it.
Use all fasteners provided.



Extra mount
hole

Make sure the gate doesn't
swing past the fence.
Use a Gate Stop to avoid
Latch & Hinge damage.

FINISH

Downee

Maintenance

- Annually inspect hinges or more frequently if the gate is used often.
- Only lubricate with powdered graphite lubricant. Do not use petroleum products

Customer	Date
Pedestrian Gates Hinged, Manual	Order No
	WO Juralco BR Juralco SO Juralco \$ Juralco
Enter details then scan and send to sales@juralco.co.nz . This Order for Gate Frame + Infills only. Order components separately	

1 Gate Infills


See previous pages for detailed layouts.


You must supply an accurate drawing if for a custom design, based on one of these standard designs.

Talk to your Juralco representative


No	Infill Description	Select 48mm Frame	Select 94mm Frame
1	17 dia Baluster, 115mm spacing		
2	49mm slat (Edge on) 115mm spacing		
3	17mm Baluster , Top and Bottom	/	
4	T&G Slat		
5	T&G 60mm slat , 20mm gaps		
6	T&G Slat, 94mm divider, 50sq Top	/	
7	58mm Louvre + small Gaps. Horizontal		
8	80mm Louvre + small Gaps. Horizontal		
9	120mm Louvre + small Gaps. Horizontal		

2 Gate Frame Dimensions. 1- Gate(s) viewed from Roadside. 2 - All dimensions Overall





**Dimension W
Frame Width**

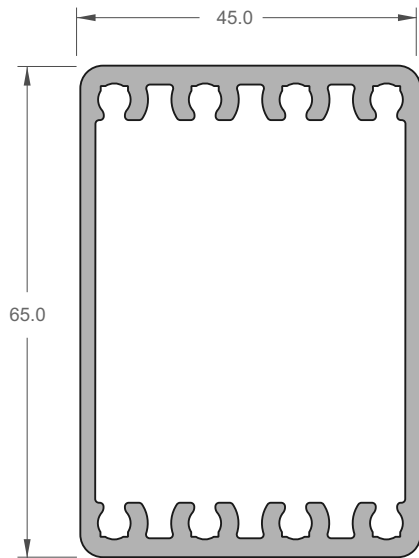


**Dimension H
Frame Height**

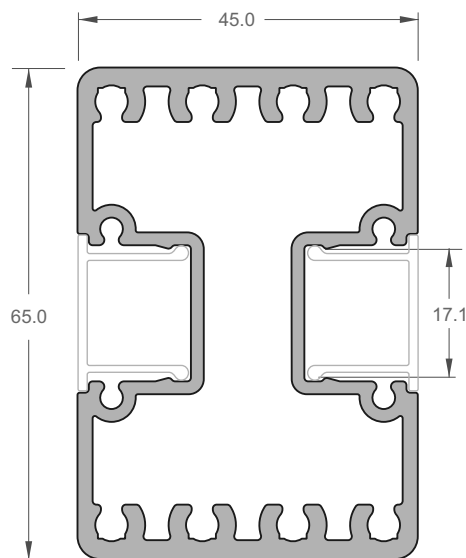
3 Select Powder Coat Type and Colour

Duralloy		Specify PC Colour and Code
Duratec		

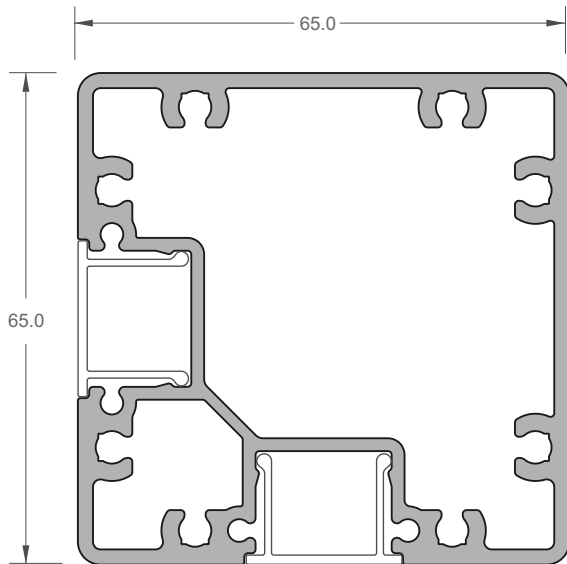
4 Comments



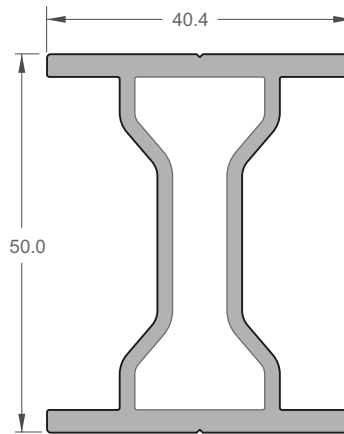
POST
Part No JGF/215/5



POCKETED POST
Part No JGF/211/5

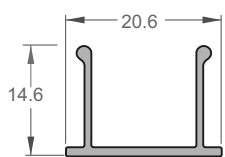


POCKETED CORNER POST
Part No JEB/213/5

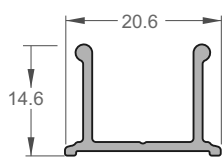


POST STIFFENER
JGF 213

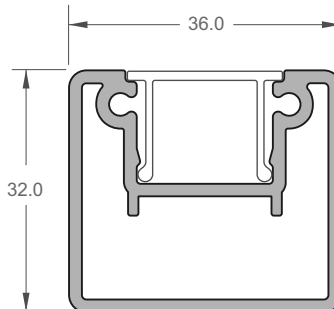
75sq IN GROUND POST
Part No JA 197/5
and 75sq Cap
Part No Cap 75
(Not shown)



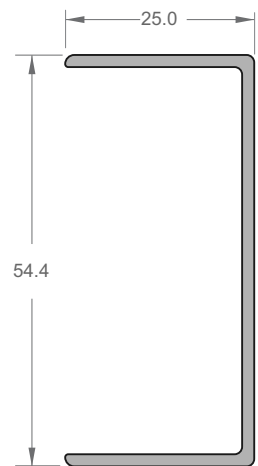
STANDARD INFILL CLIP
Part No JEB/206/5.8



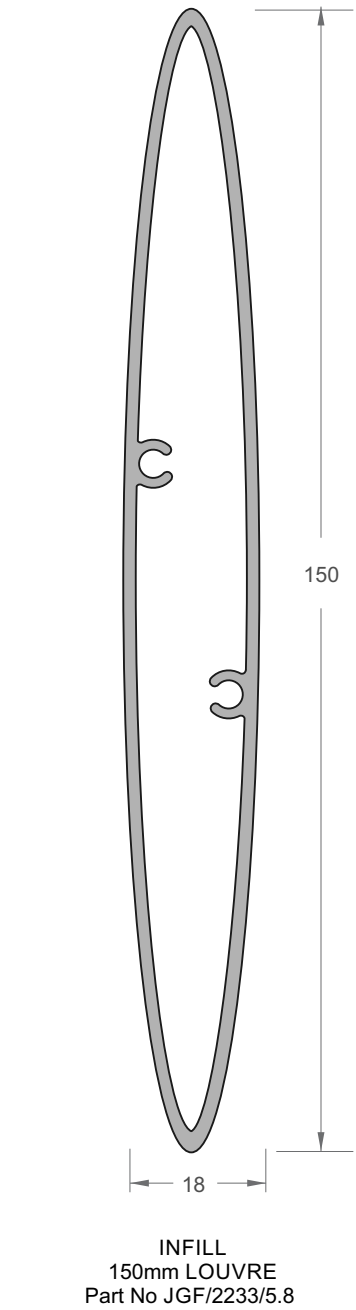
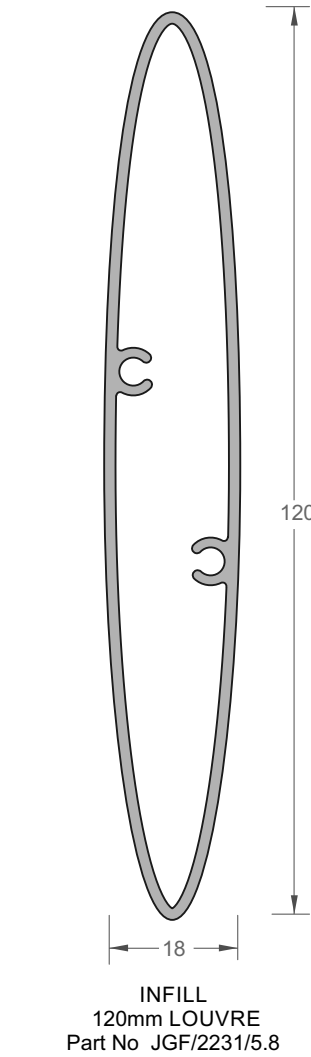
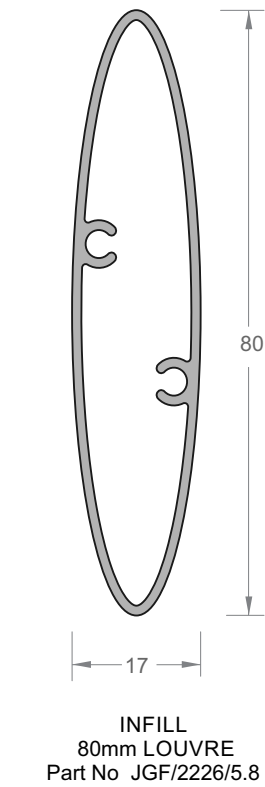
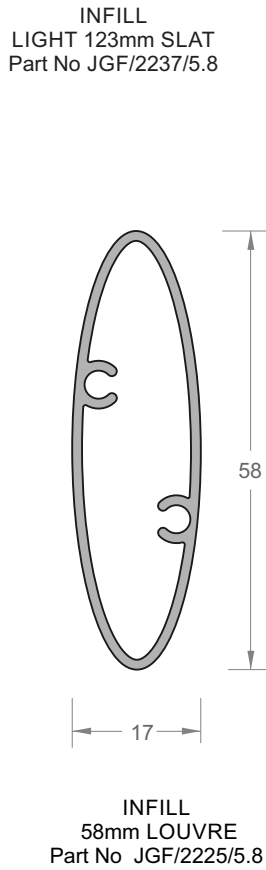
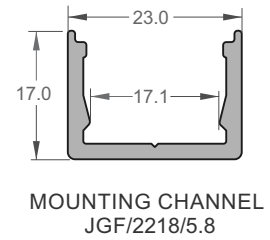
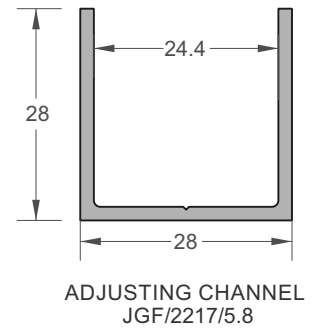
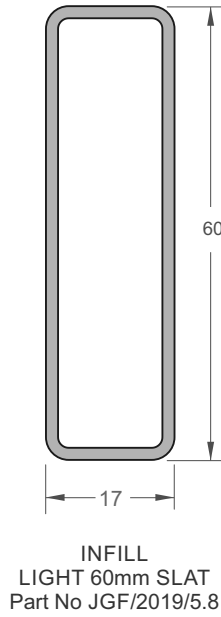
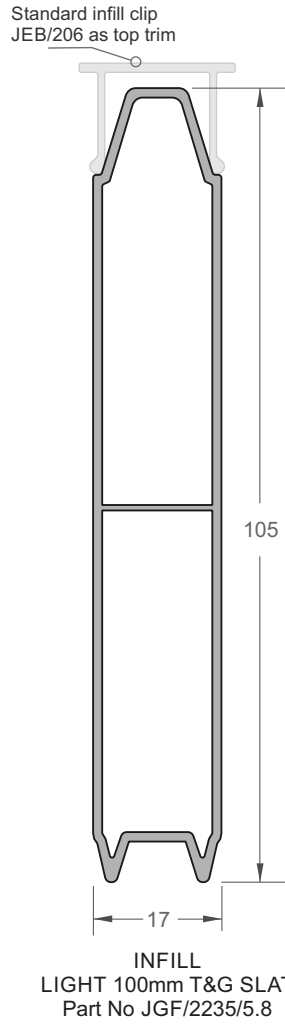
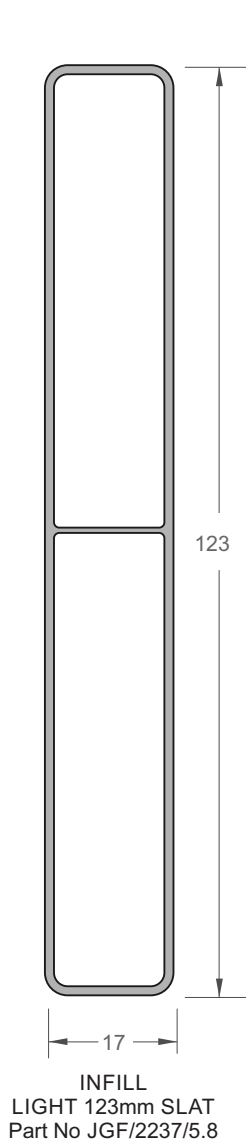
REBATED INFILL CLIP
Part No JEB/218/5.8



SIDE RAIL
Part No JEB/202/5

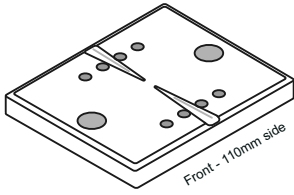


LOUVRE CHANNEL
Part No JGF/210



Base plate
Part No JEC 201

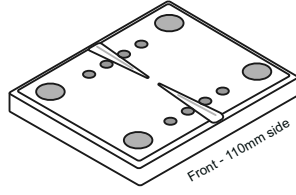
Top Mount.



110mm x 90mm x 12mm - 2 x hole

Base plate
Part No JEC 221

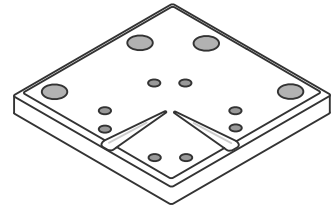
Top Mount



110mm x 90mm x 12mm - 4 x hole

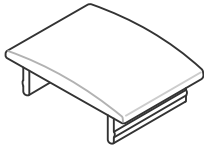
Base plate - Corner Post
Part No JEC 222

Top Mount



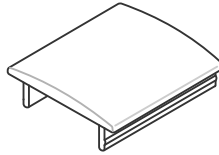
110mm x 110mm x 12mm - 4 x hole

Top Cap
Part No JEC 20



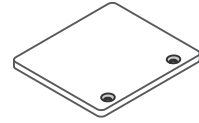
Fits over Post 65mm x 45mm

Top Cap - Corner Post
Part No JEC 27



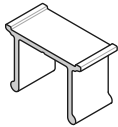
Fits over Post. 66mm x 66mm

Side Post,
End Cap
Part No JGF/G36



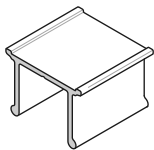
33mm x 38mm x 3mm thick.

Infill Spacer
Part No JEB/218/10



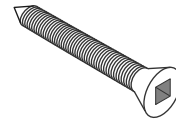
10mm long

Infill Spacer
Part No JEB/218/20



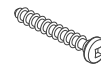
20mm long

Post/Baseplate Screw
Part No JVBHTSCREW/50x10



50mm SS HT PK C/S sq drive screw

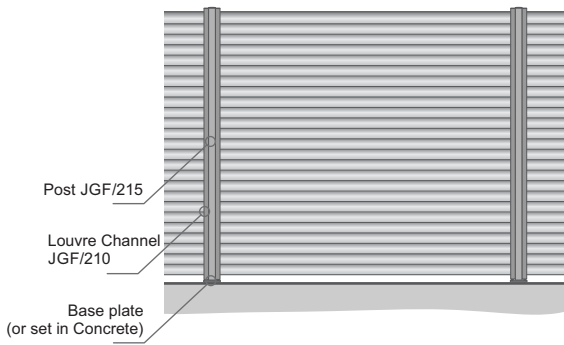
Slat Attach Screw
Part No JVB Screw 25x6



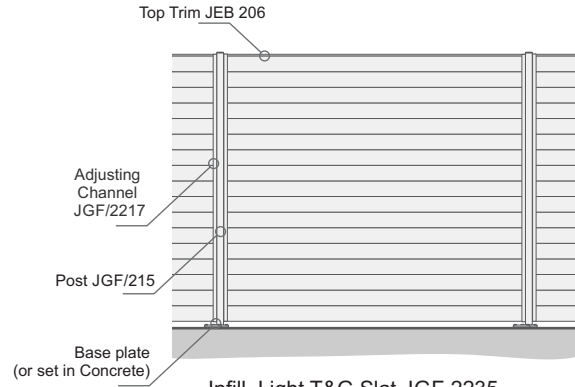
No6 x 25 SS PK Screw

Free standing
Infills

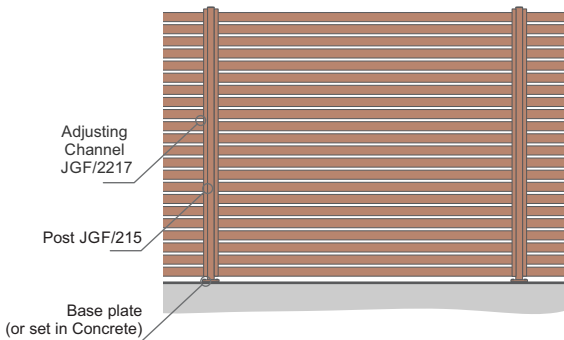
Posts can be Top mounted, or set in concrete.
Max post height 1.8mt, Max Post CL 2.0mt.



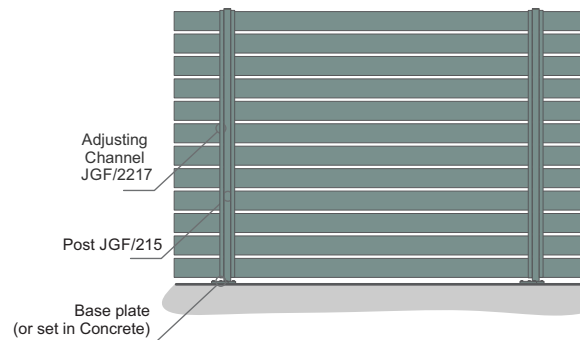
Infill, Louvre JGF 2231



Infill, Light T&G Slat JGF 2235,



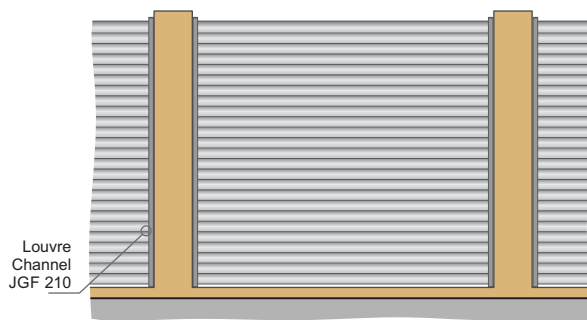
Infill, Light 60mm Slat JGF 2019



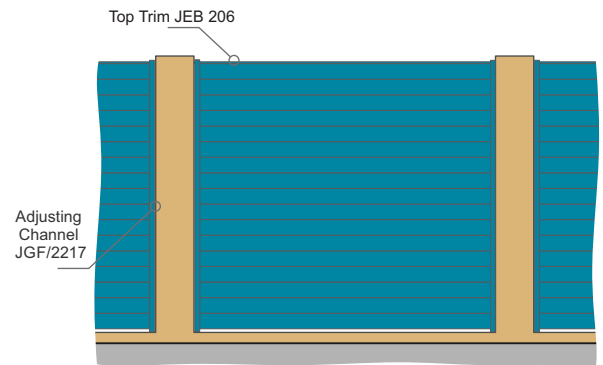
Infill, Light 123mm Slat JGF 2237

Between Walls
Infills - Full Height

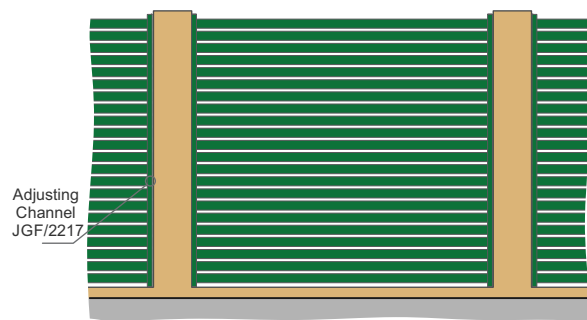
Posts attached to Wall
Max Post CL 2.0mt.



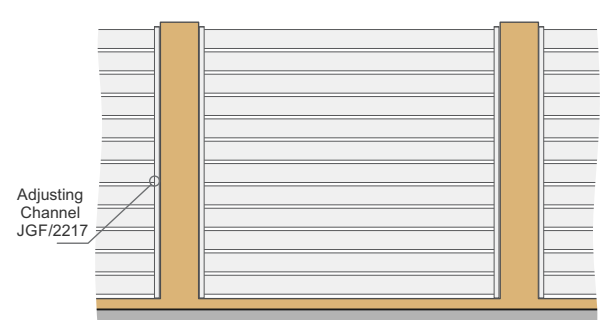
Infill, Louvre JGF 2231



Infill, Light T&G Slat JGF 2235,



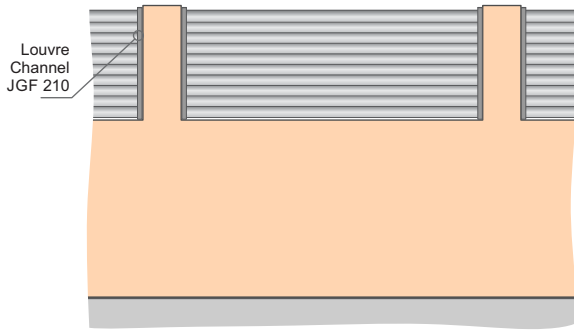
Infill, Light 60mm Slat JGF 2019



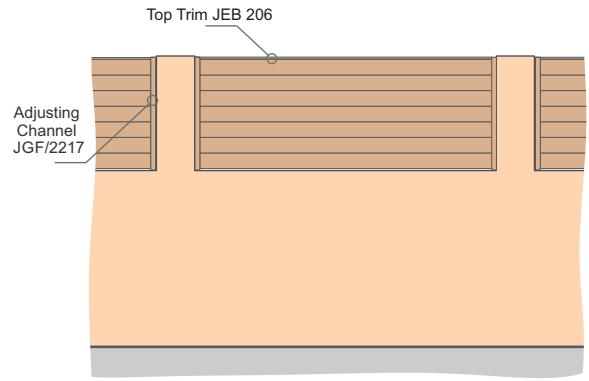
Infill, Light 123mm Slat JGF 2237

Between Nib Walls
Infills

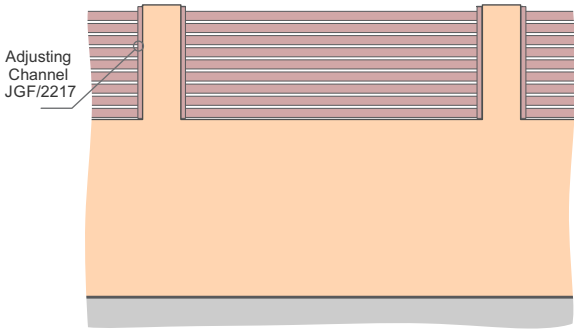
Posts attached to Nib Wall Max Post CL 2.0mt.
Use centre post for longer spans



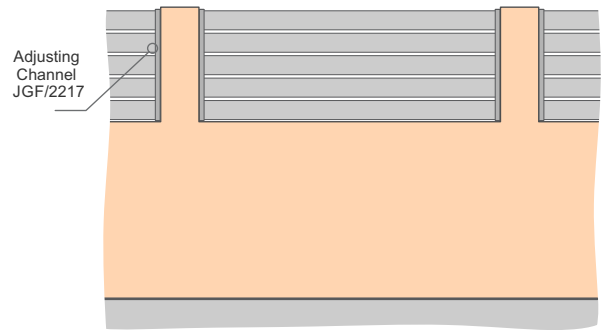
Infill, Louvre JGF 2231



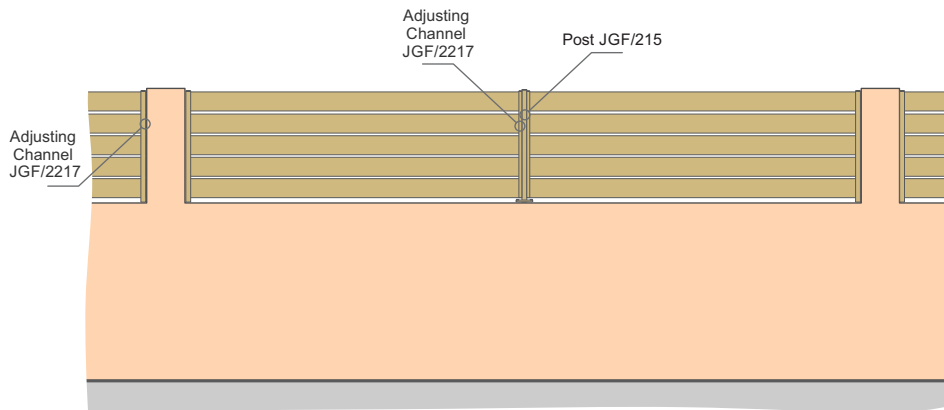
Infill, Light T&G Slat JGF 2235,



Infill, Light 60mm Slat JFG 2019

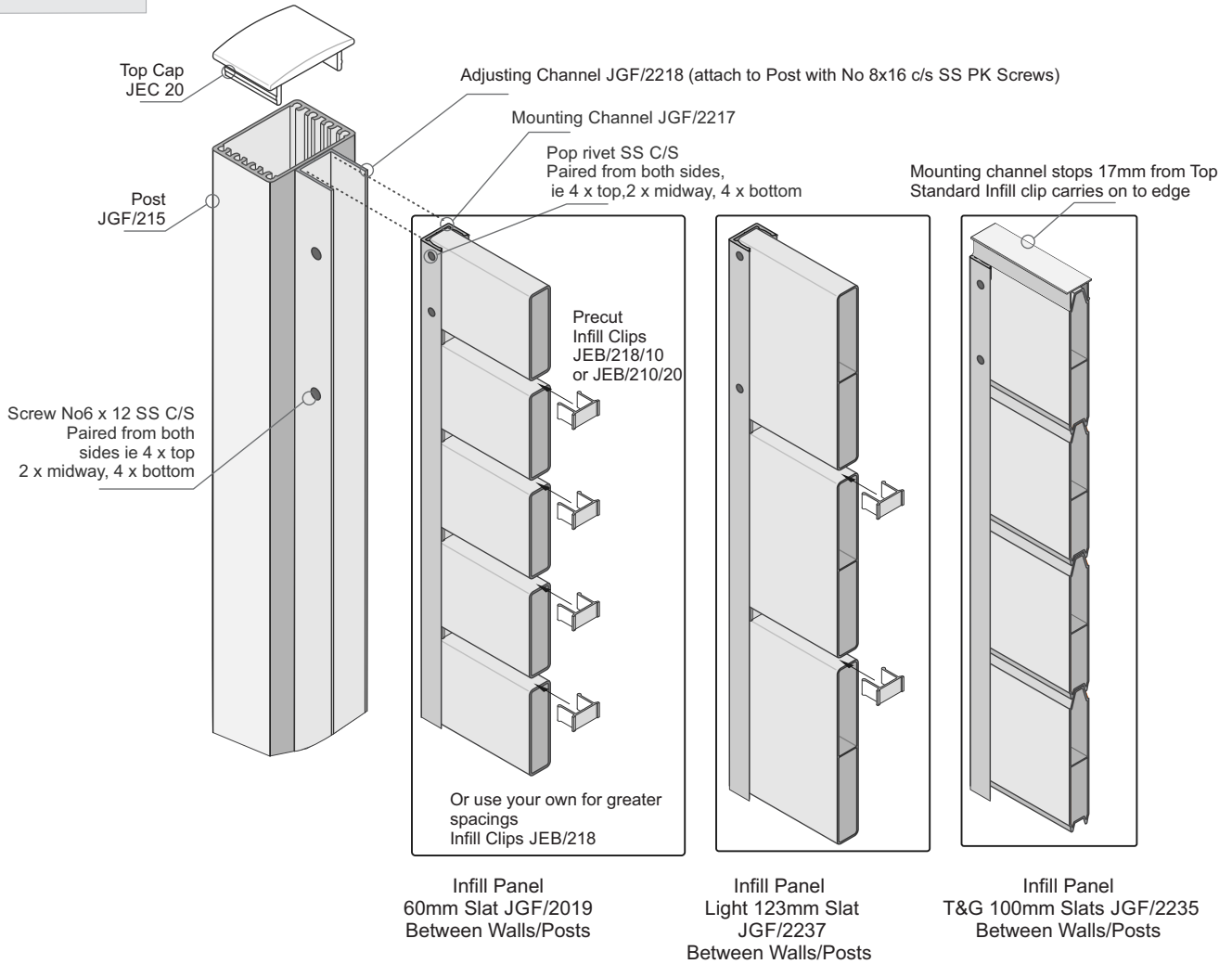


Infill, Light 123mm Slat JGF 2237

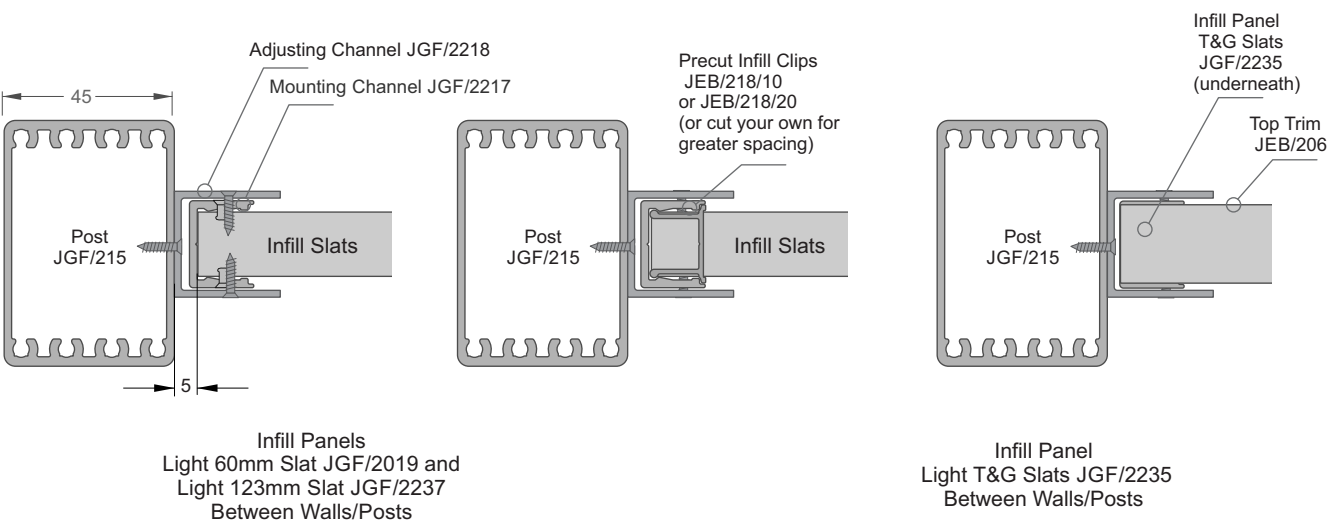


Longer lengths using intermediate supports

Infill Panels. These Infill Panels to be preassembled in the Factory

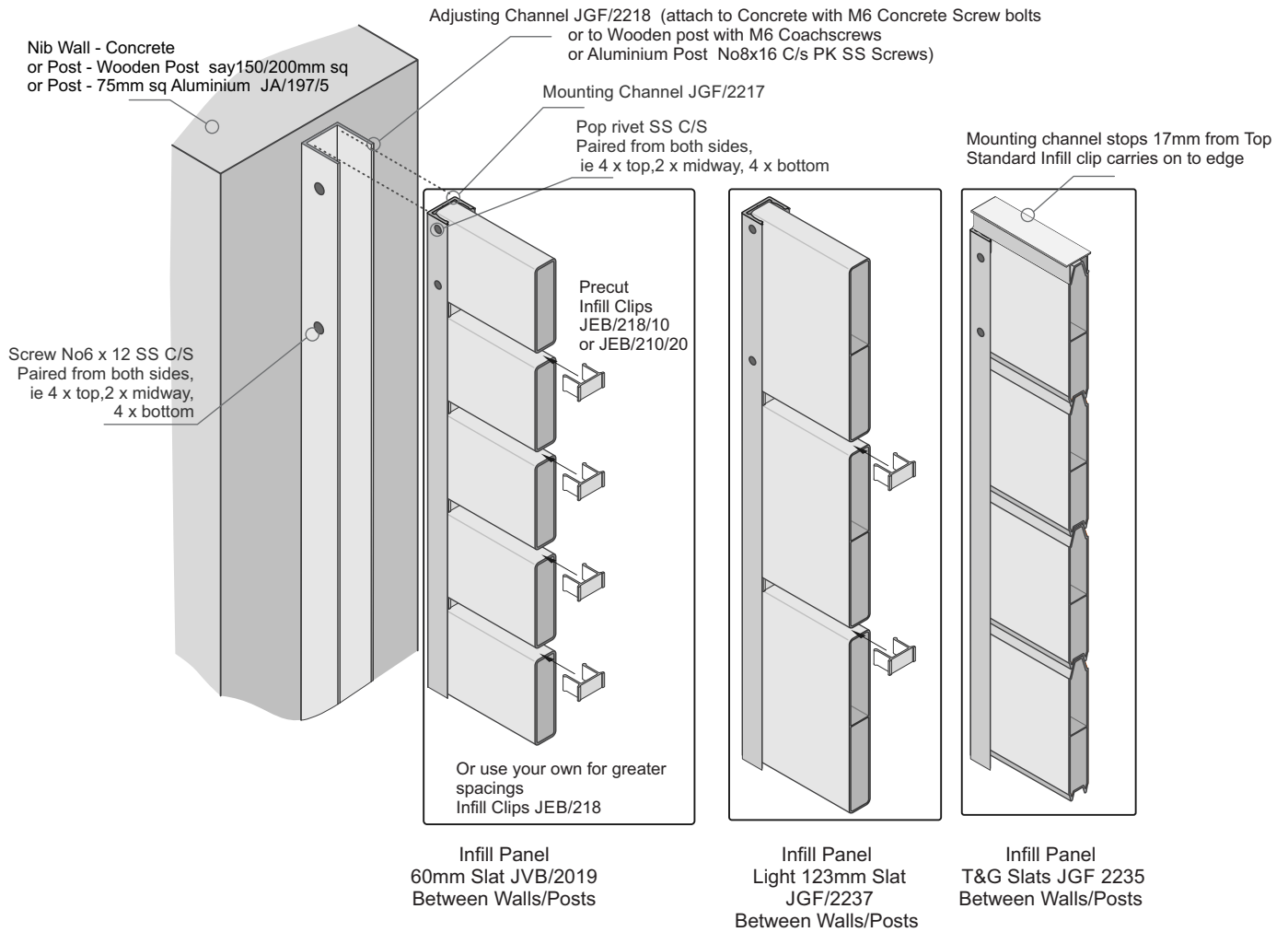


Infill Panels Cutting All Infill Panel Slats. Deduct 10mm total off Overall width between Posts



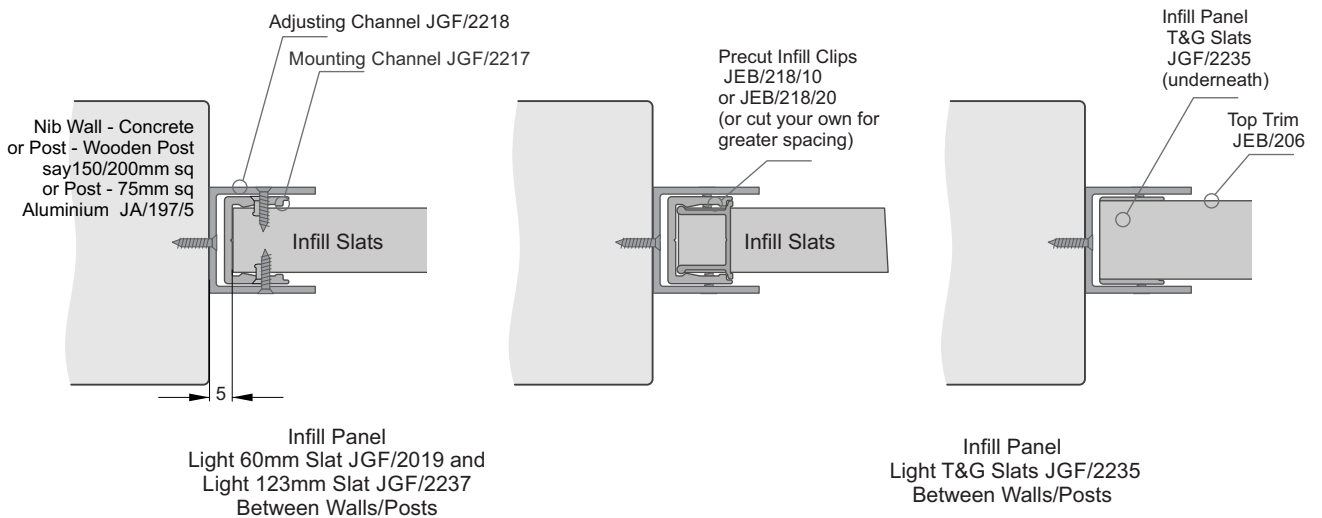
Infill Panels.

These Infill Panels to be preassembled in the Factory

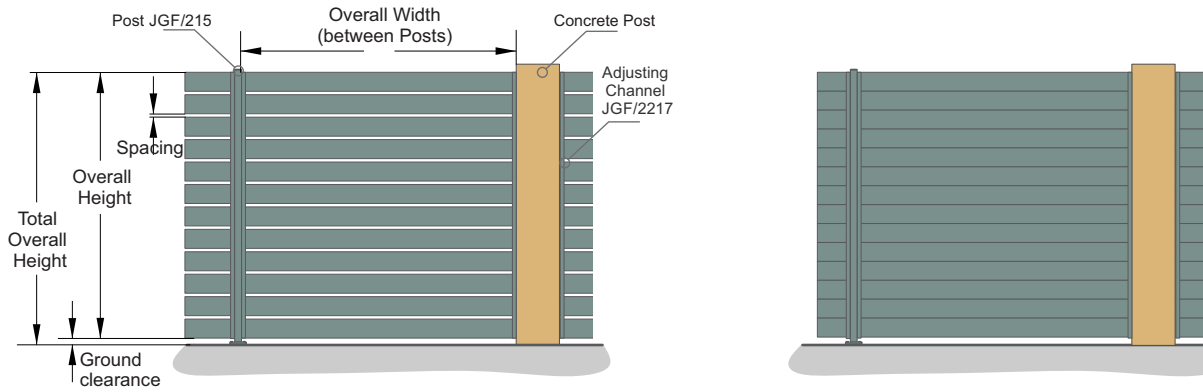


Infill Panels Cutting

All Infill Panel Slats. Deduct 10mm total off Overall width between Posts



Note: Juralco Posts can be Top mounted, or set in concrete. Max post height 1.8mt, Max Post CL 2.0mt. Refer Wind Zone chart
For reinforced Concrete Posts, Max post height 2.4mt, Max Post CL 2.0mt.



Infill Panels
Light 60mm Slat JGF/2019/5.8
and Light 123mm Slat JGF/2237/5.8
Between Walls/Posts

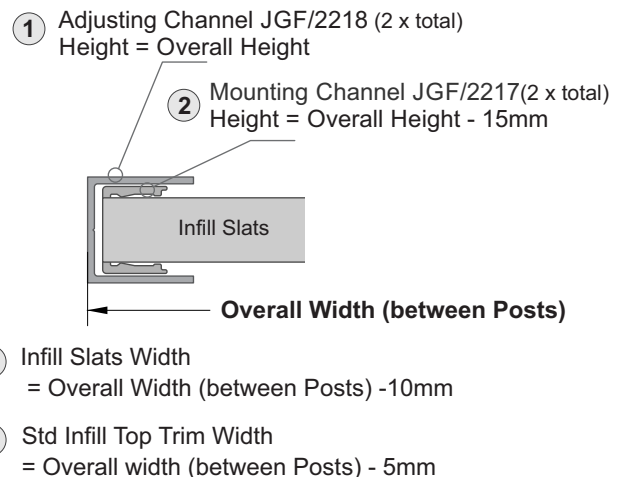
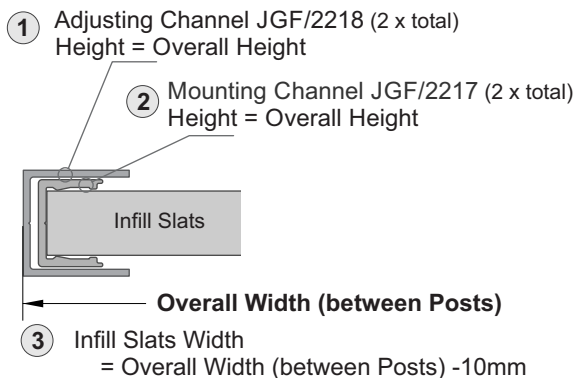
Infill Panel
T&G 100mm Slats JGF/2235/5.8
Between Walls/Posts

To get a Total Overall Height to the Top Edge, add a ground clearance dimension

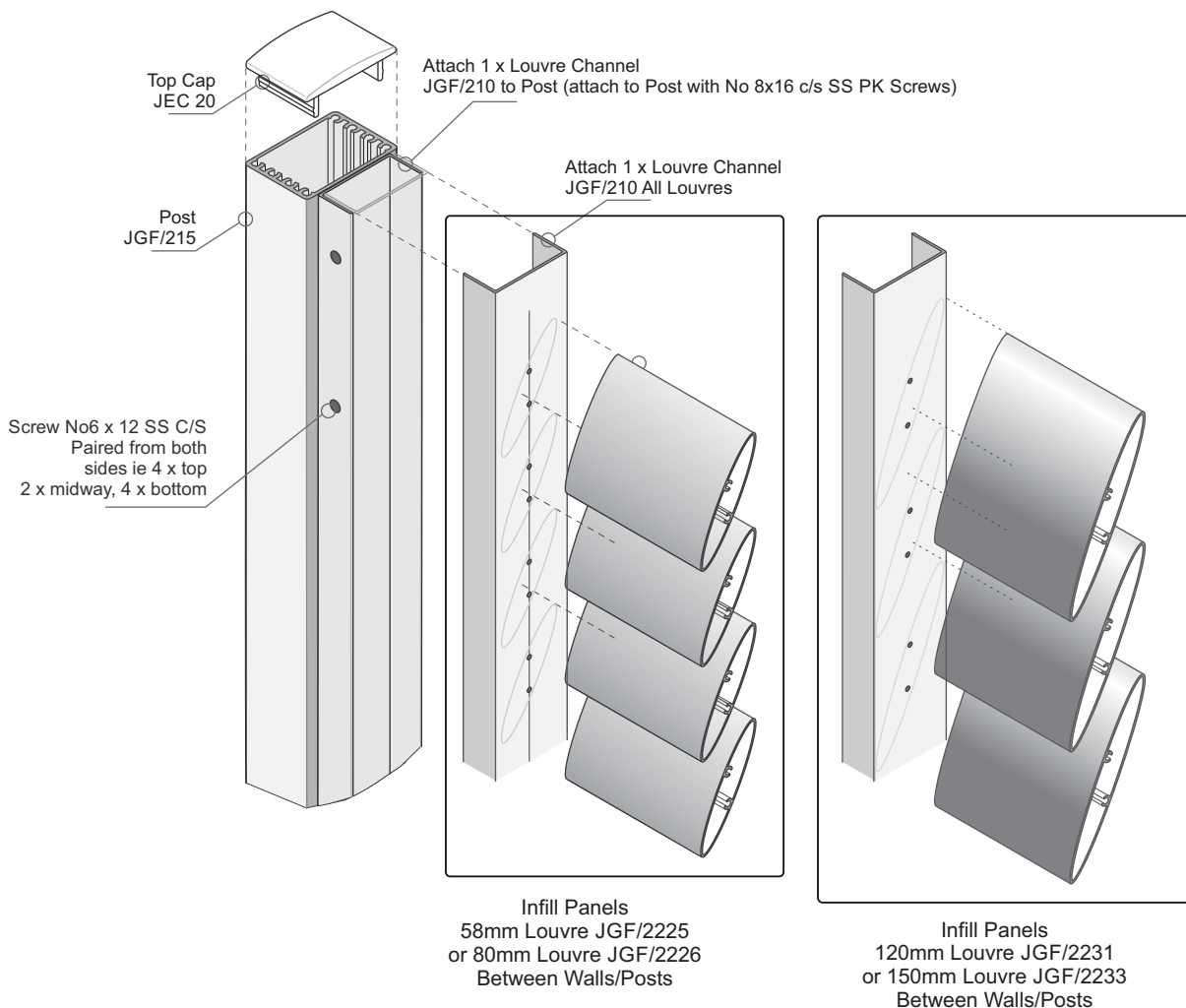
Light 60mm Slat				
		10mm spacer	20mm spacer	
	No Slats	Overall Height	Overall Height	No Spacers
Nib Walls	5	340	380	8
	6	410	460	10
	7	480	540	12
	8	550	620	14
	9	620	700	16
	10	690	780	18
Full Walls	20	1390	1580	38
	21	1460	1660	40
	22	1530	1740	42
	23	1600	1820	44
	24	1670	1900	46
	25	1740	1980	48
	26	1810	2060	50
	27	1880	2140	52
	28	1950	2220	54
	29	2020	2300	56
	30	2090	2380	58
	31	2160	2460	60
	32	2230	2540	62

Light 123mm Slat					
		10mm spacer	20mm spacer		
	No Slats	Overall Height	Overall Height	No Spacers	
Nib Walls	3	389	409	4	
	4	522	552	6	
	5	655	695	8	
	6	788	838	10	
	Full Walls	11	1453	1553	20
		12	1586	1696	22
13		1719	1839	24	
14		1852	1982	26	
15		1985	2125	28	
16		2118	2268	30	
17		2251	2411	32	
18		2384	2554	34	

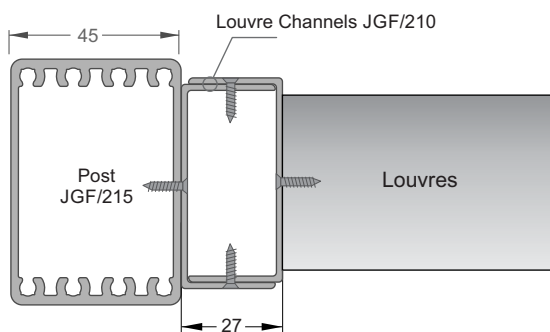
Light 100mm T&G Slat		
Include allowance for Standard Infill Top Trim		
	No Slats	Overall Height
Nib Walls	4	404
	5	504
	6	604
	7	704
	8	804
	Full Walls	15
16		1604
17		1704
18		1804
19		1904
20		2004
21		2104
22		2204
23		2304
24		2404
25		2504



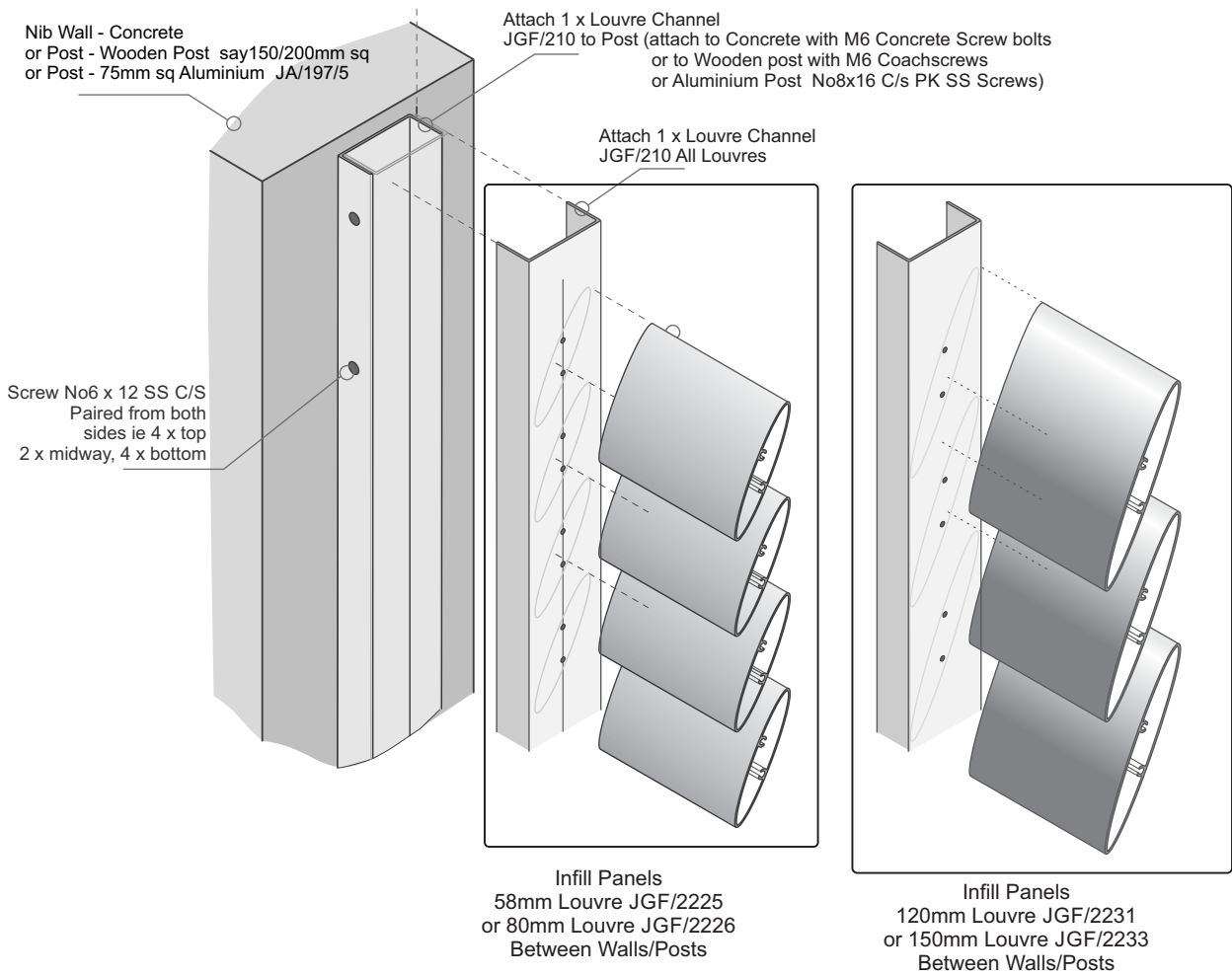
Infill Panels. These Infill Panels to be preassembled in the Factory



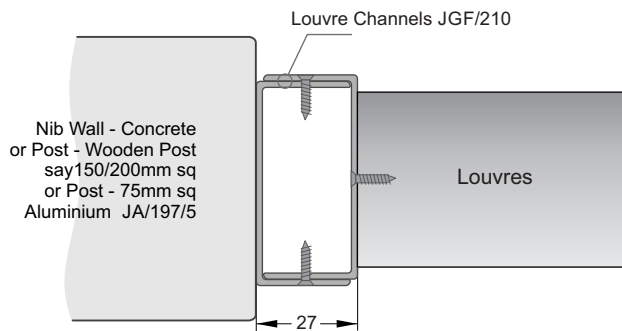
Infill Panels Cutting All Infill Panel Slats. Deduct 55mm total off Overall width between Posts



Infill Panels. These Infill Panels to be preassembled in the Factory



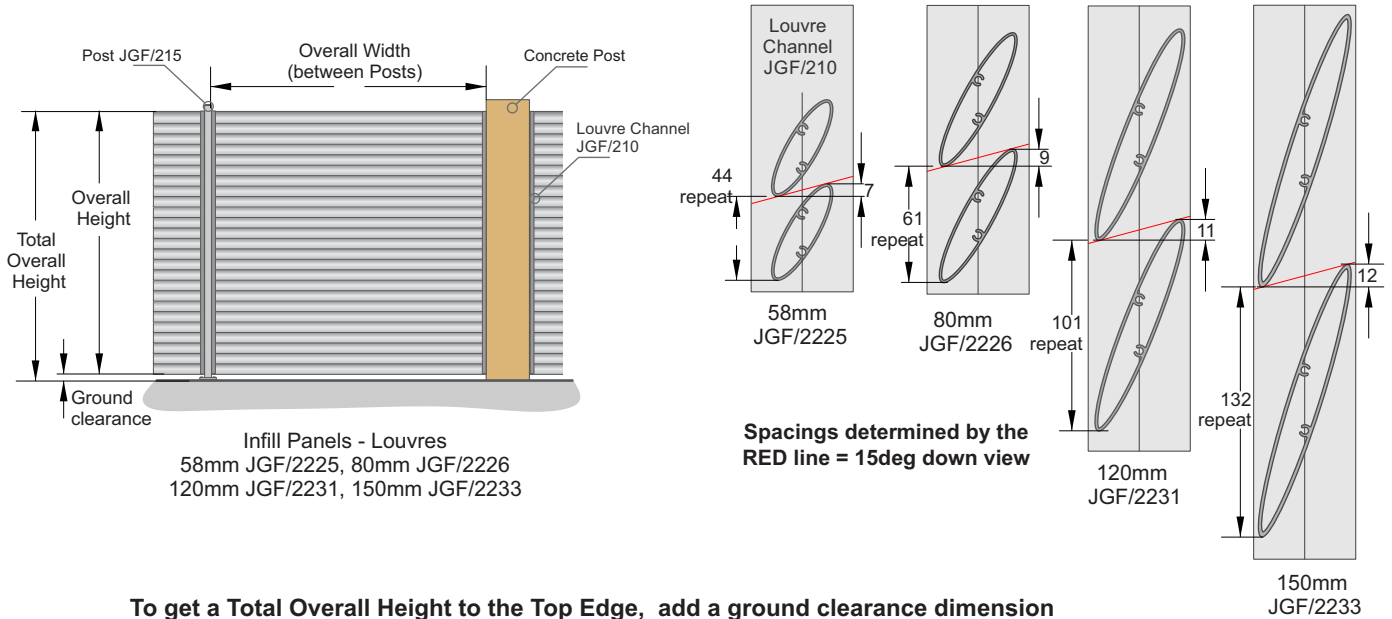
Infill Panels Cutting All Infill Panel Slats. Deduct 55mm total off Overall width between Posts



Architectural Series Gate and Fence System - Infills Calculations

Section 4 Fences

Note: Juralco Posts can be Top mounted, or set in concrete. Max post height 1.8mt, Max Post CL 2.0mt. Refer Wind Zone chart
For reinforced Concrete Posts, Max post height 2.4mt, Max Post CL 2.0mt.



To get a Total Overall Height to the Top Edge, add a ground clearance dimension

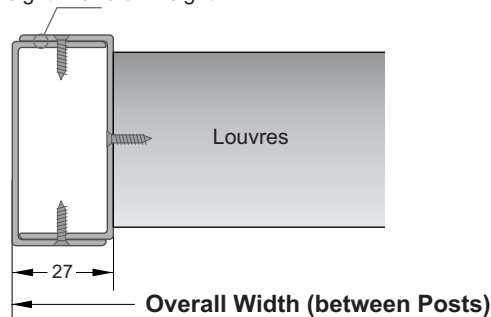
58mm Louvre JGF/2225		
	No Louvres	Overall Height
Nib Walls	8	403
	10	491
	12	579
	14	667
	16	755
Full Walls	30	1371
	32	1459
	34	1547
	36	1635
	38	1723
	40	1811
	42	1899
	44	1987
	46	2075
	48	2163
	50	2251

80mm Louvre JGF/2226		
	No Louvres	Overall Height
Nib Walls	6	436
	8	558
	10	680
	12	802
	24	1534
Full Walls	26	1656
	28	1778
	30	1900
	32	2022
	34	2144
	36	2266
	38	2388
	40	2510

120mm Louvre JGF/2231		
	No Louvres	Overall Height
Nib Walls	4	415
	5	516
	6	617
	7	718
	8	819
Full Walls	14	1425
	15	1526
	16	1627
	17	1728
	18	1829
	19	1930
	20	2031
	21	2132
	22	2233
	23	2334
	24	2435
	25	2536
	26	2637

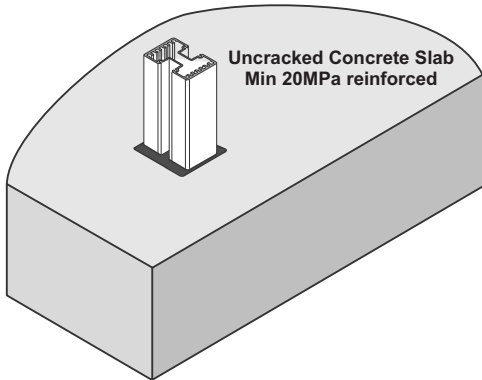
150mm Louvre JGF/2233		
	No Louvres	Overall Height
Nib Walls	3	408
	4	540
	5	672
	6	804
Full Walls	11	1464
	12	1596
	13	1728
	14	1860
	15	1992
	16	2124
	17	2256
	18	2388
	19	2520
	20	2652

- ① Louvre Channels JGF/210 (4 x total)
Height = Overall Height



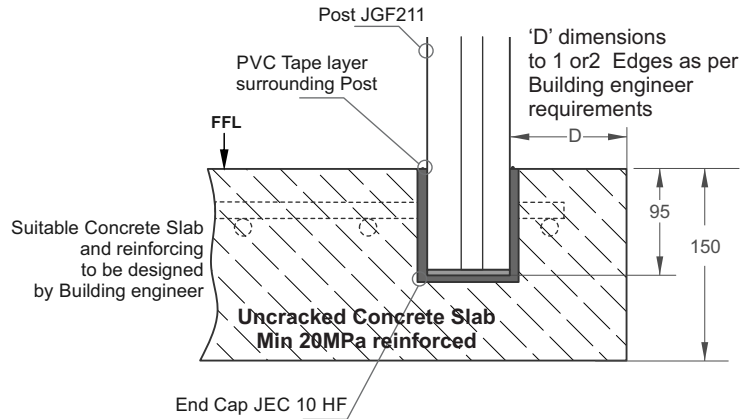
- ② Infill Louvres Width
= Overall Width (between Posts) -55mm

Embed Post
in Concrete Slab



Important Installation notes:

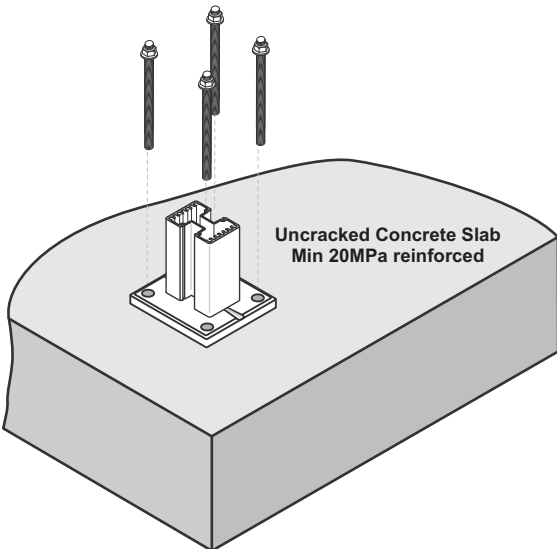
- 1 - The Project Engineer must ensure the structure can support the appropriate loads
- 2 - Substructure shown indicatively only
- 3 - A PVC Tape layer must completely surround the Post
- 4 - Mortar pocket 70mm sq or 85mm dia.
Avoid mortar splashes on exposed aluminium.
Wash off immediately.



See EDGE Manual for more details

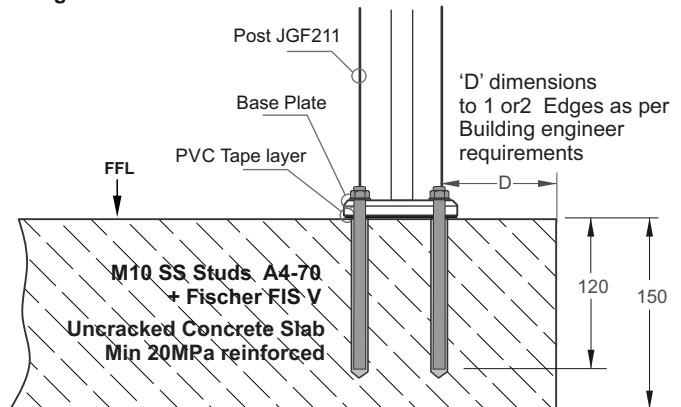
Top Fix Post
to Concrete Slab

Typical TOP Fix to Concrete - JEC 200, 110mm x 90mm, 4 hole Base Plate - M10 SS Studs



Important Installation notes:

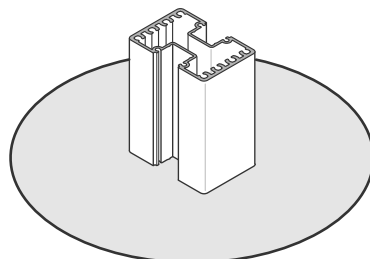
- 1 - The Project Engineer must ensure the structure can support the appropriate loads
- 2 - Substructure shown indicatively only
- 3 - All fixings must engage into the structural slab
- 4 - A PVC Tape layer must be installed between the Base plate and Concrete
- 5 - Use Threadlock on Nut
- 6 - All fixings must be Stainless steel



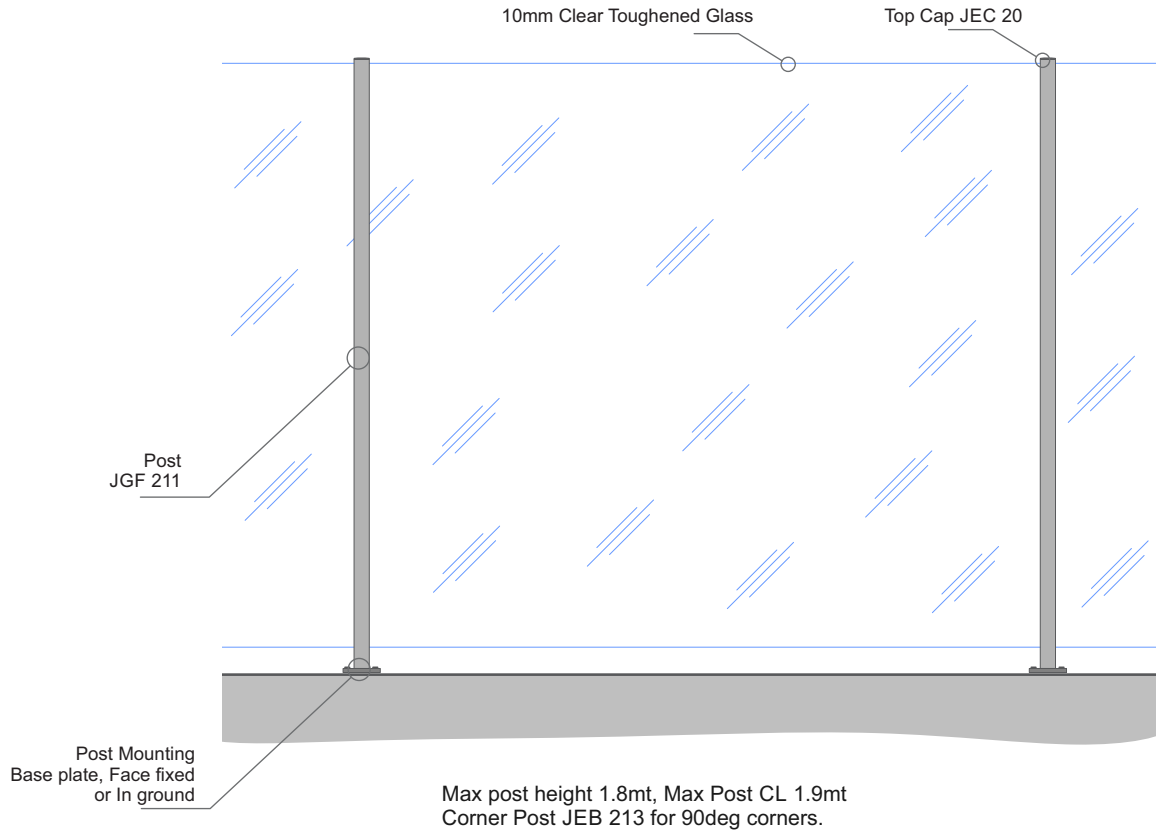
See EDGE Manual for more details

Post into Ground

Attach Post into Concrete. Hole in Ground minimum 200mm dia Depth, minimum 1/3 Post height. Use Dricon Rapidset or similar



Typical Installation
Windbreak



Wind Chart

Not applicable to AS/NZS1170
For low or no decks where safety from falling is not required

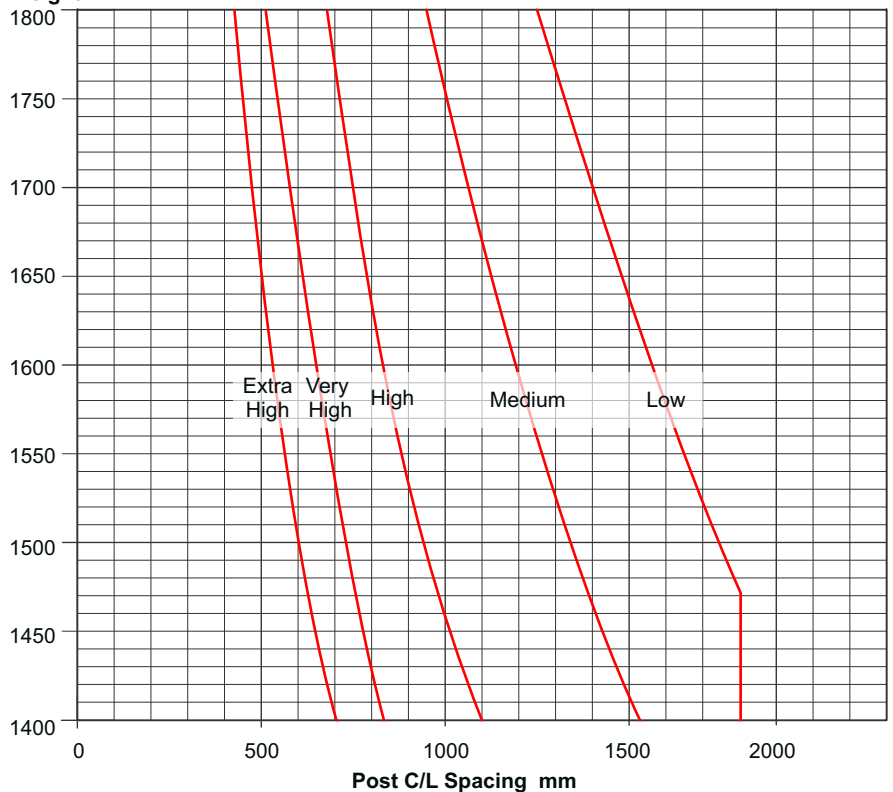
Group 1

Applies to Mountings shown on next page.
Any other mount types, check with the EDGE Balustrade

Wind Speeds

- Low = Up to 0.73kPa
- Medium = Up to 0.983kPa
- High = Up to 1.39kPa
- Very High = Up to 1.8kPa
- Extra High = Up to 2.18kPa

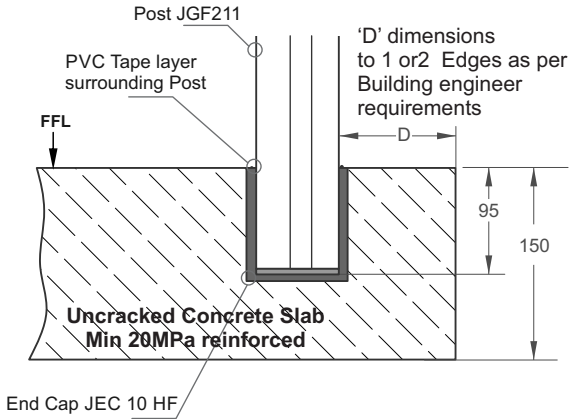
Balustrade Height mm



Note - Coach Screws into Timber must be bonded with Super Strength Araldite

**Embed Post
in Concrete Slab**

Suitable Concrete Slab
and reinforcing to be designed
by Building engineer

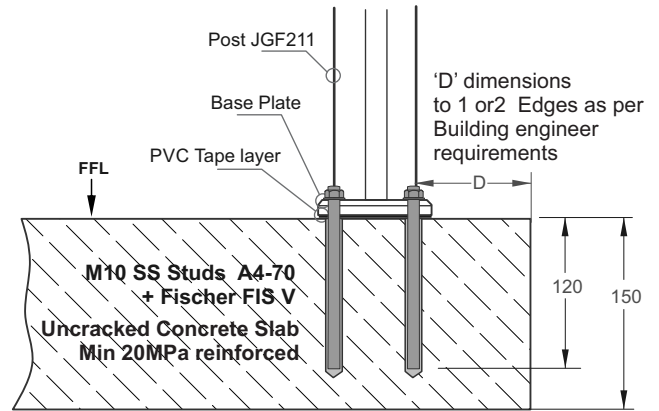


**Substructure shown indicatively only
See EDGE Manual for more details**

**Top Fix Post
to Concrete Slab**

Suitable Concrete Slab
and reinforcing to be designed
by Building engineer

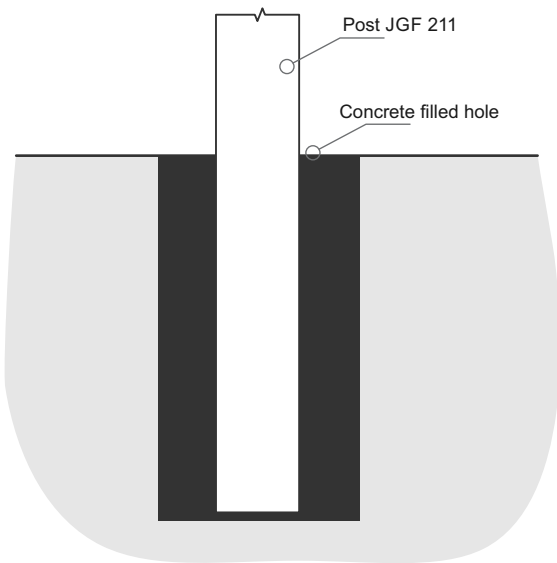
Typical TOP Fix to Concrete
JEC 200, 110mm x 90mm,
4 hole Base Plate - M10 SS Studs



**Substructure shown indicatively only
See EDGE Manual for more details**

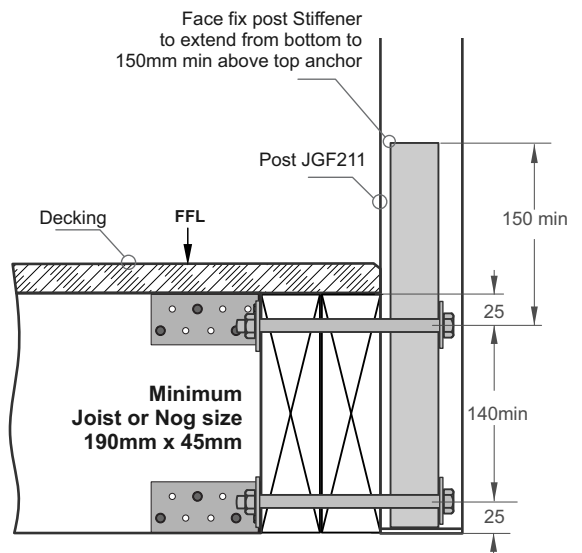
Post into Ground

Attach Post into Concrete. Hole in Ground minimum 200mm dia
Depth, minimum 1/3 Post height. Use Dricon Rapidset or similar



**Post Face Fixed
Low deck**

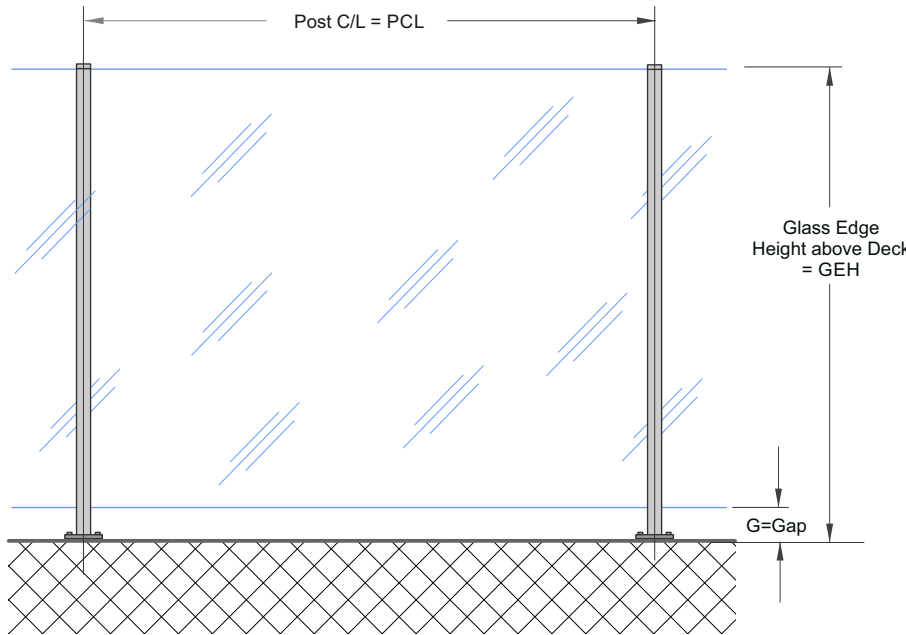
Typical FACE Fix Post to Timber
M10 SS Bolts or Threaded Rod



**Substructure shown indicatively only
See EDGE Manual for more details**

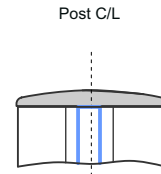
10mm Glass, Inline - Semi Frameless. Top Mount

1 - Taking into account Wind zone, Windbreak Height choose Post spacing C/L



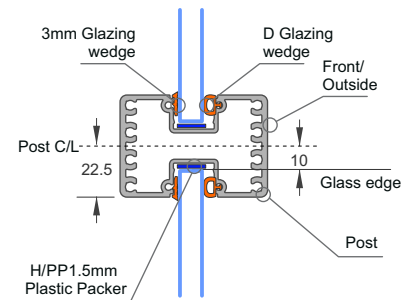
A Corner Post is available for 10mm Glass, Inline - Semi Frameless. Top Mount only with 110mm sq special Baseplate

2 - Glass Top - Offsets

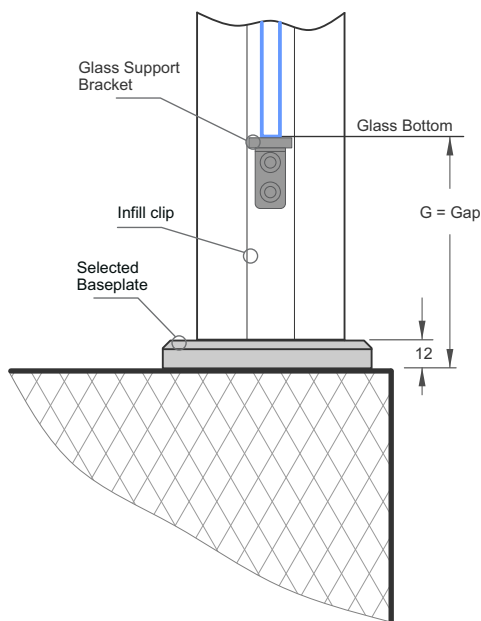


Flush Glass

4 - Glass, Width Offsets



3 - Height offsets



5 - Cutting - Top Fix Baseplate

- a - Post, Cut to = $GEH - 12$
- b - 10mm Glass height = $GEH - G$
- c - 10mm Glass width = $PCL - 2 \times 10 = PCL - 20$
or tight distance between posts at deck level + 25mm

Architectural Series Fence and Gate System - Powder Coating Care and Maintenance

Powder Coating Installation Care

Warning re use of solvents:

- In some cases strong solvents are recommended for thinning various types of paints and also for cleaning up mastics and sealants.
- These can be harmful to the extended life of the powder coated surface, and must not be used for cleaning purposes.
- It is important to note that the damage will not be visible immediately and may take up to 12 months to develop.

If paint splashes or sealants and mastics need to be removed then the following may be safely used:
Methylated Spirits, Ethyl Alcohol, Isopropanol or preferably a mild detergent in warm water.

Joinery Protection during Installation:

All the activity on a construction site means that your powder coated items may get knocked or scratched, splattered with mortar, plaster, textured coating or paint during the later stages of construction.

Please ensure that all powder coated articles are masked or covered at this time. It is far easier to prevent accidents than to try and correct them. Should your joinery receive mortar or paint splashes see that these are removed before cure and follow the instructions contained in this brochure.

Typical sticker used to warn other trades of the need to protect and mask off powder coated joinery (applies to anodised joinery also)

"IMPORTANT ALL TRADES"
This valuable aluminium joinery will suffer permanent damage from: plaster, mortar and paint splashes - Protect if splashes occur - Immediately wash down joinery with water or meths - Do not allow splashes to harden! ~ Do not use solvents! - Do not remove this label until final clean completed.

This photograph displays damage that has occurred on site, post installation. The photo of the masked joinery displays clear signs of damage that could have occurred were it not masked. Please ensure that your joinery is protected right through the entire construction process.



Powder Coating Maintenance

External - Maintenance Program:

To extend the life of external powder coated articles and to comply with warranty requirements for powder coated aluminium joinery, a simple, regular maintenance program must be implemented.

The effects of ultra violet light, atmospheric pollution, dirt, grime and airborne salt deposits will all accumulate over time and must be removed or surface staining and weathering will occur, leading to an unsightly appearance.

For external coatings, cleaning should take place every six months. In areas where pollutants are more prevalent, such as beachfront houses and industrial or geothermal areas, then a cleaning program should be carried out on a more frequent basis ie. every one to three months.

Fences or Balustrades in close proximity to swimming pools must be washed down every six months, to clean off chlorine and salt deposits.

Cleaning your powder coating:

1. Carefully remove any loose surface deposits with a wet sponge.
2. Use a soft brush (non abrasive) and a mild household detergent (do not use solvents) in warm water, remove dust, salt and other deposits.
3. Rinse off with clean fresh water.



Restoring weathered or scratched surfaces:

Repair of Scuffed or Scratched surfaces
Dulux Spray Cans are available in all colour card colours.

Repair of Small Scratches or Chips.
Dulux Dabsticks are ideally suited for the repair of small scratches.
Dabsticks may not be available in all colour card colours.

Repair of Weathered areas .
Dulux Gloss Up is a light to medium cutting cream ideally suited for gloss restoration and has been specifically designed for this purpose.
Gloss Up contains no waxes or silicone and is a one step system.



Contact Dulux Powder Coatings , ph 0064 9 441 8244